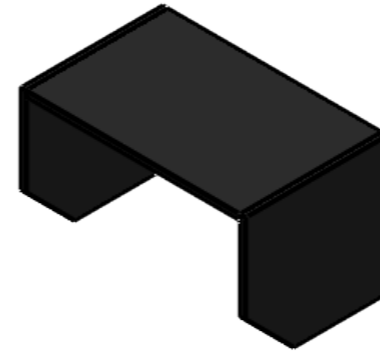


## NOZZLE SCHEDULE - DSW5000/7000/10000

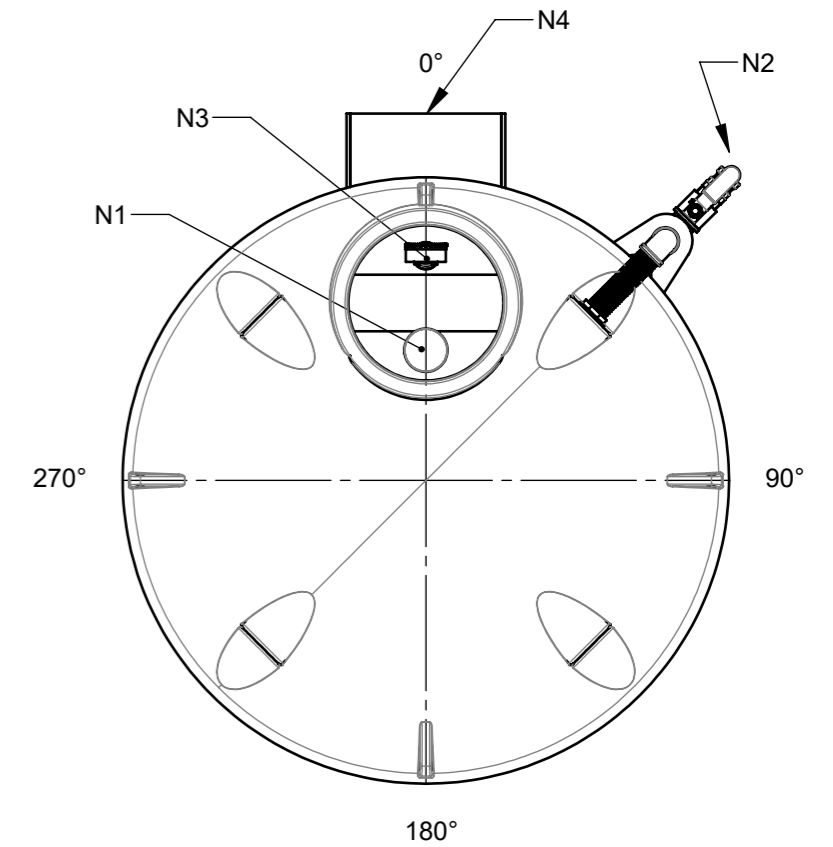
ITEM	DN SIZE	ITEM DESCRIPTION	POSITION
N1	-	415mm SEALED HDPE LID c/w MUSHROOM BREATHER VENT - TYPE 2 - 50MM MALE	0° ROOF
N2	50	GALVANISED STEEL PIPE ASSY, 2" BRASS BALL VALVE, 2" CHECK VALVE & 2" ALUMINIUM CAMLOCK - TOP FILL ASSEMBLY	45°
N3	-	CLOCK DIAL LEVEL INDICATOR	0° ROOF
N4	50	2" BRASS BALL VALVE - OUTLET c/w HDPE PROTECTION COVER	0°

**NOTES:**

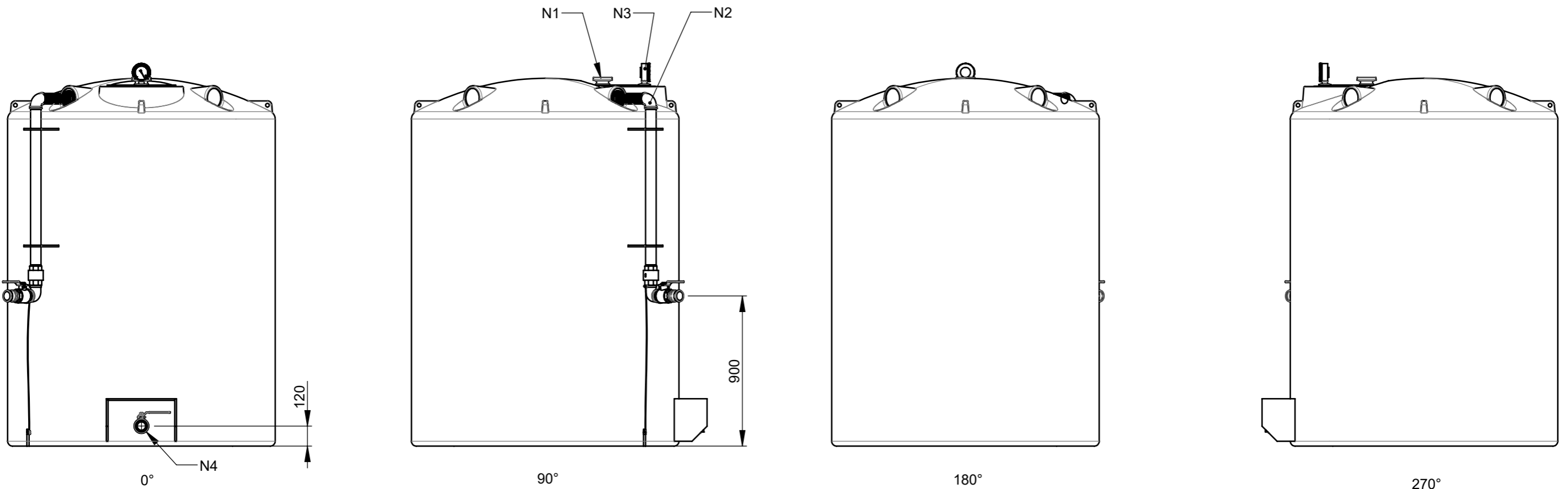
1. USER TO REFER TO RELEVANT TANK INSTALLATION GUIDE.
2. ALL FITTINGS/CONNECTIONS ARE TO BE INDEPENDENTLY SUPPORTED AND ISOLATED SO THAT ANY LOADS ASSOCIATED WITH EXTERNAL PIPE WORK ARE NOT TRANSMITTED TO TANK.
3. INSPECTION PORT POSITION IS FIXED & MUST REMAIN AS 0° REFERENCE POINT
4. ALL NOZZLES ARE TO BE IN DEGREES MOVING CLOCKWISE FROM 0°.



**HDPE PROTECTION COVER**  
SCALE 1 : 10



**PLAN VIEW**  
SCALE 1 : 20



NOTE: ALL TOLERANCES UNLESS OTHERWISE STATED  $\pm 10\text{mm} / \pm 1^\circ$   
DO NOT SCALE, USE DIMENSIONS. ALL DIMENSIONS ARE IN mm

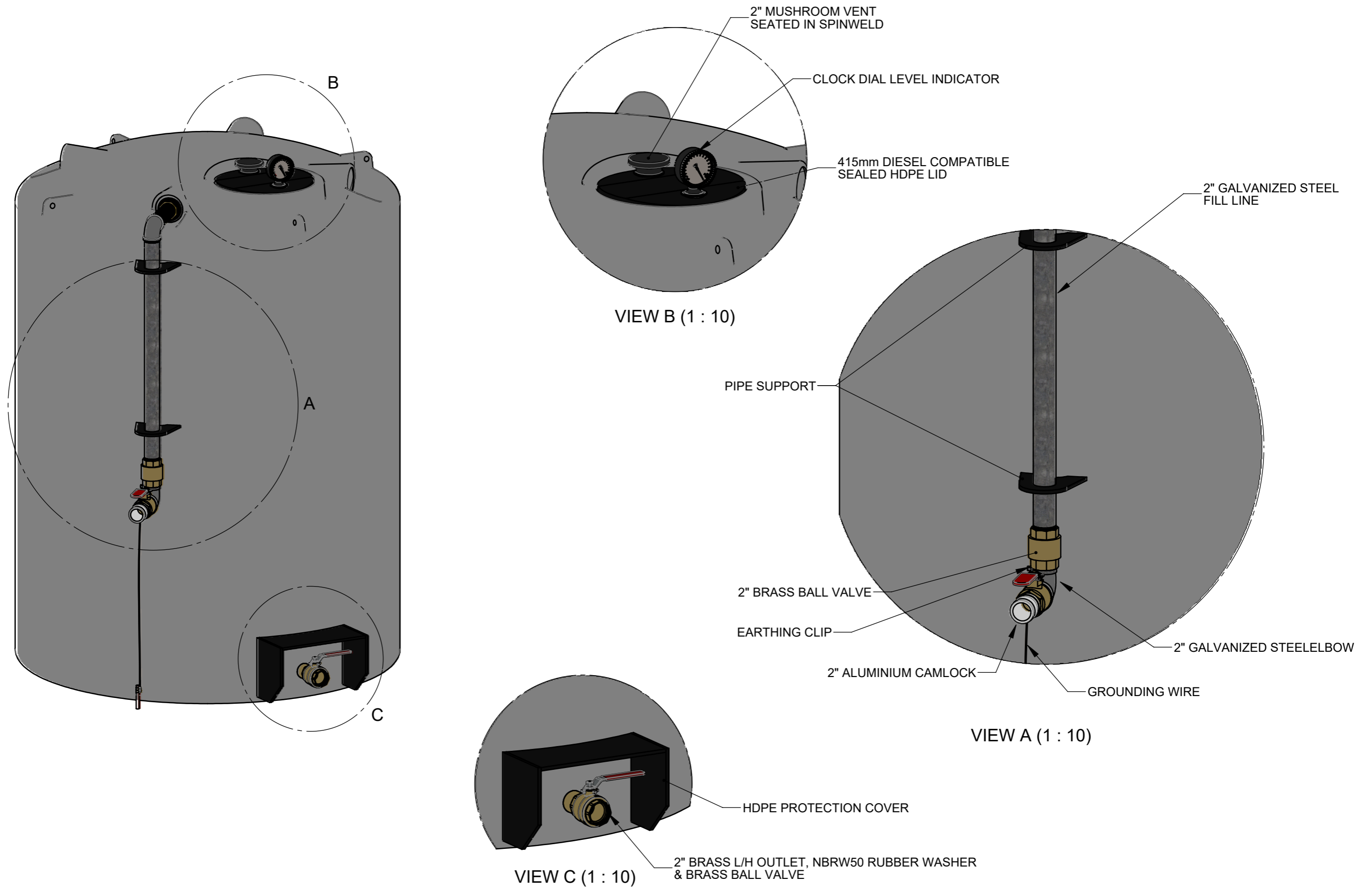
This drawing is the property of Polymaster Group Pty. Ltd. It cannot be copied in part or in full without the written permission of Polymaster Group Pty. Ltd.

© POLYMASTER GROUP



161 KARINIE STREET  
SWAN HILL. VIC.  
3585  
Ph: (03) 5033 9000  
Fx: (03) 5033 0224

DESCRIPTION	TANK DIESEL SMOOTH WALL		<b>A3</b>	SHEET SIZE	SCALE: 
PRODUCT CODE	DSW5000 /7000 /1000				
MATERIAL	DIESEL GRADE 7040		SG	1.0	DK
COLOUR	LIGHT GREY				
DRAWING No.	DSW - GA - RevB	DRAWN	24/01/2022	1/3	Rev: B



NOTE: ALL TOLERANCES UNLESS OTHERWISE STATED  $\pm 10\text{mm} / \pm 1^\circ$   
 DO NOT SCALE, USE DIMENSIONS. ALL DIMENSIONS ARE IN mm  
 This drawing is the property of Polymaster Group Pty. Ltd. It cannot be copied  
 in part or in full without the written permission of Polymaster Group Pty. Ltd.

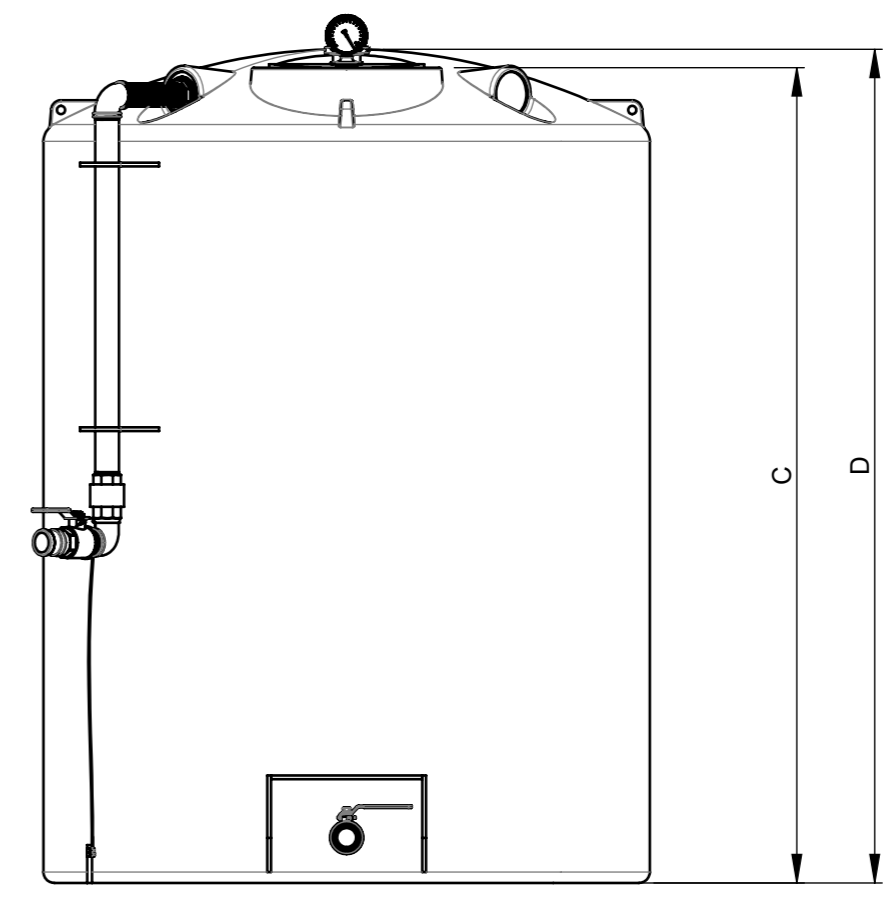
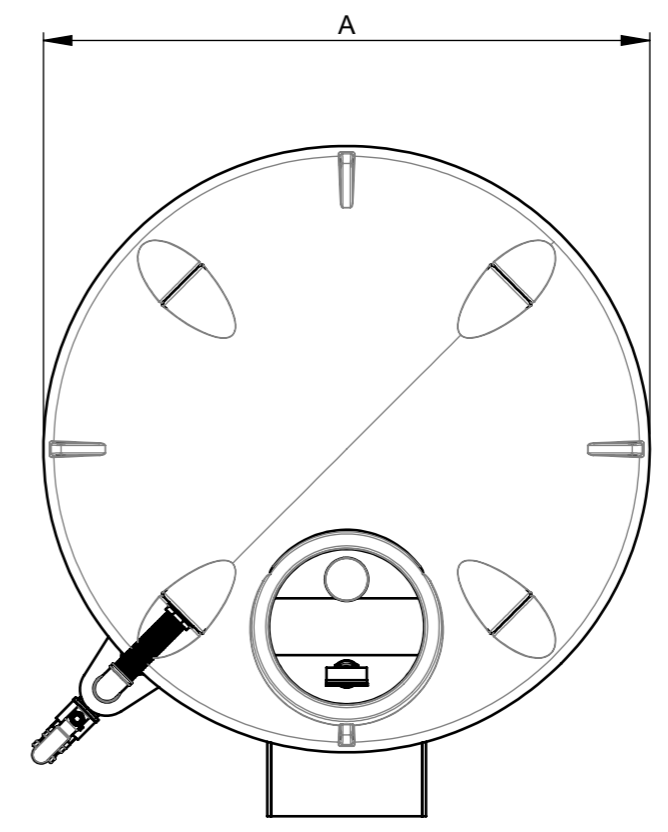
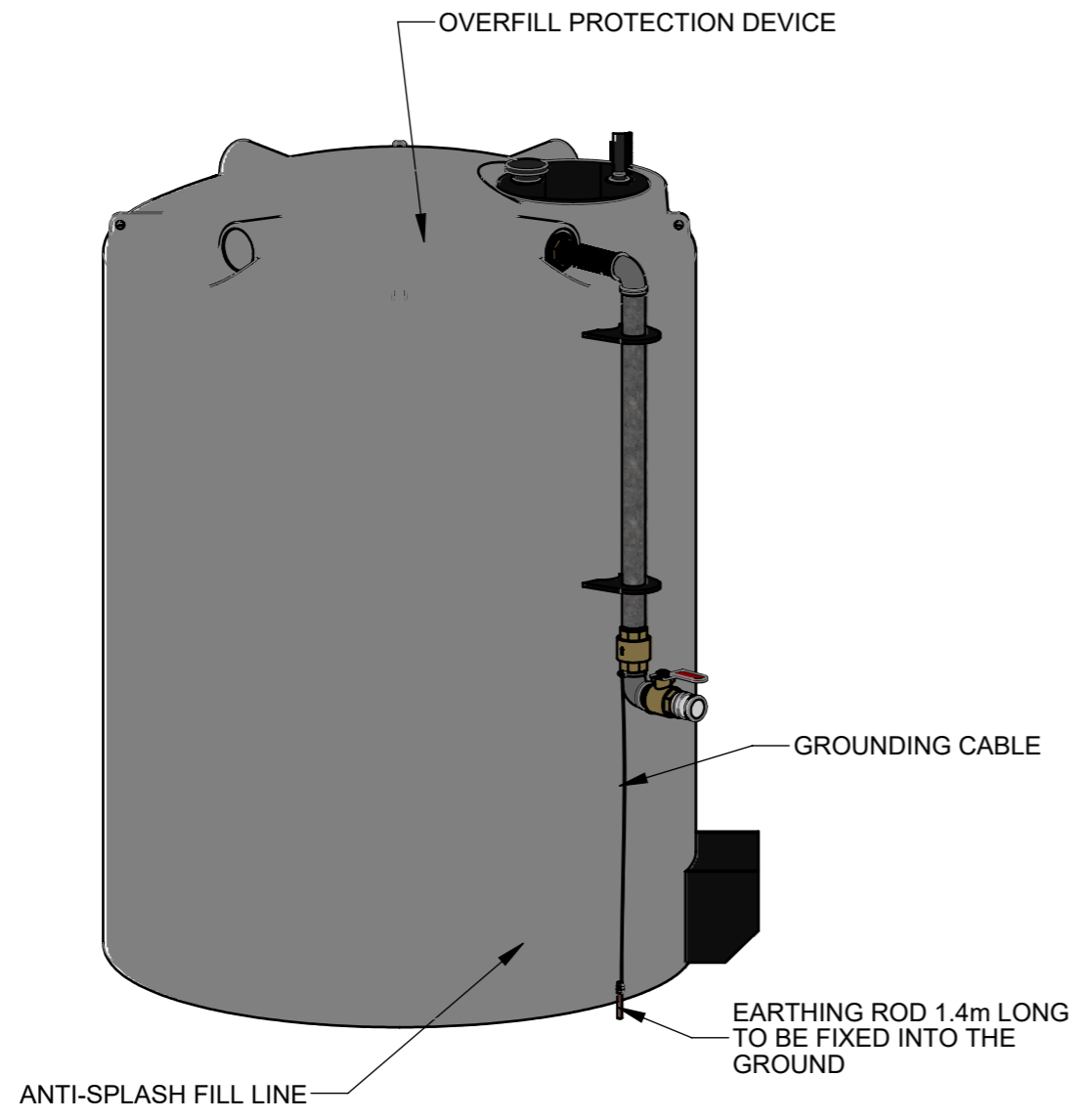
© POLYMASTER GROUP



161 KARINIE STREET  
 SWAN HILL. VIC.  
 3585  
 Ph: (03) 5033 9000  
 Fx: (03) 5033 0224

DESCRIPTION	TANK DIESEL SMOOTH WALL		A3	SCALE:
PRODUCT CODE	DSW5000 /7000 /1000			
MATERIAL	DIESEL GRADE 7040		SHEET SIZE	
COLOUR	LIGHT GREY	SG 1.0		
DRAWING No.	DSW - GA - RevB	DRAWN	DK	24/01/2022

2/3 Rev: B



CAPACITY	PRODUCT CODE	DIMENSIONS (±10mm)			SAFE FILL LIMIT
		A	B	C	
5,000L	DSW5000	1800	2195	2128	4,750L
7,000L	DSW7000	2197	2191	2016	6,650L
10,000L	DSW10000	2500	2376	2192	9,500L

NOTE: ALL TOLERANCES UNLESS OTHERWISE STATED ±10mm / ±1°  
DO NOT SCALE, USE DIMENSIONS. ALL DIMENSIONS ARE IN mm  
This drawing is the property of Polymaster Group Pty. Ltd. It cannot be copied in part or in full without the written permission of Polymaster Group Pty. Ltd.

© POLYMASTER GROUP



161 KARINIE STREET  
SWAN HILL. VIC.  
3585  
Ph: (03) 5033 9000  
Fx: (03) 5033 0224

DESCRIPTION	TANK DIESEL SMOOTH WALL	
PRODUCT CODE	DSW5000 /7000 /1000	
MATERIAL	DIESEL GRADE 7040	
COLOUR	LIGHT GREY	SG 1.0
DRAWING No.	DSW - GA - RevB	DRAWN

SCALE:	A3 SHEET SIZE	