

EARTH ROD

7,0000L MODEL SHOWN

DIESEL LEVEL INDICATOR

DIGITAL FLUID METER

2" CAMLOK & BALL VALVE

30 MICRON CLEAR WATER CAPTOR FILTER

BUND LEAK INDICATOR

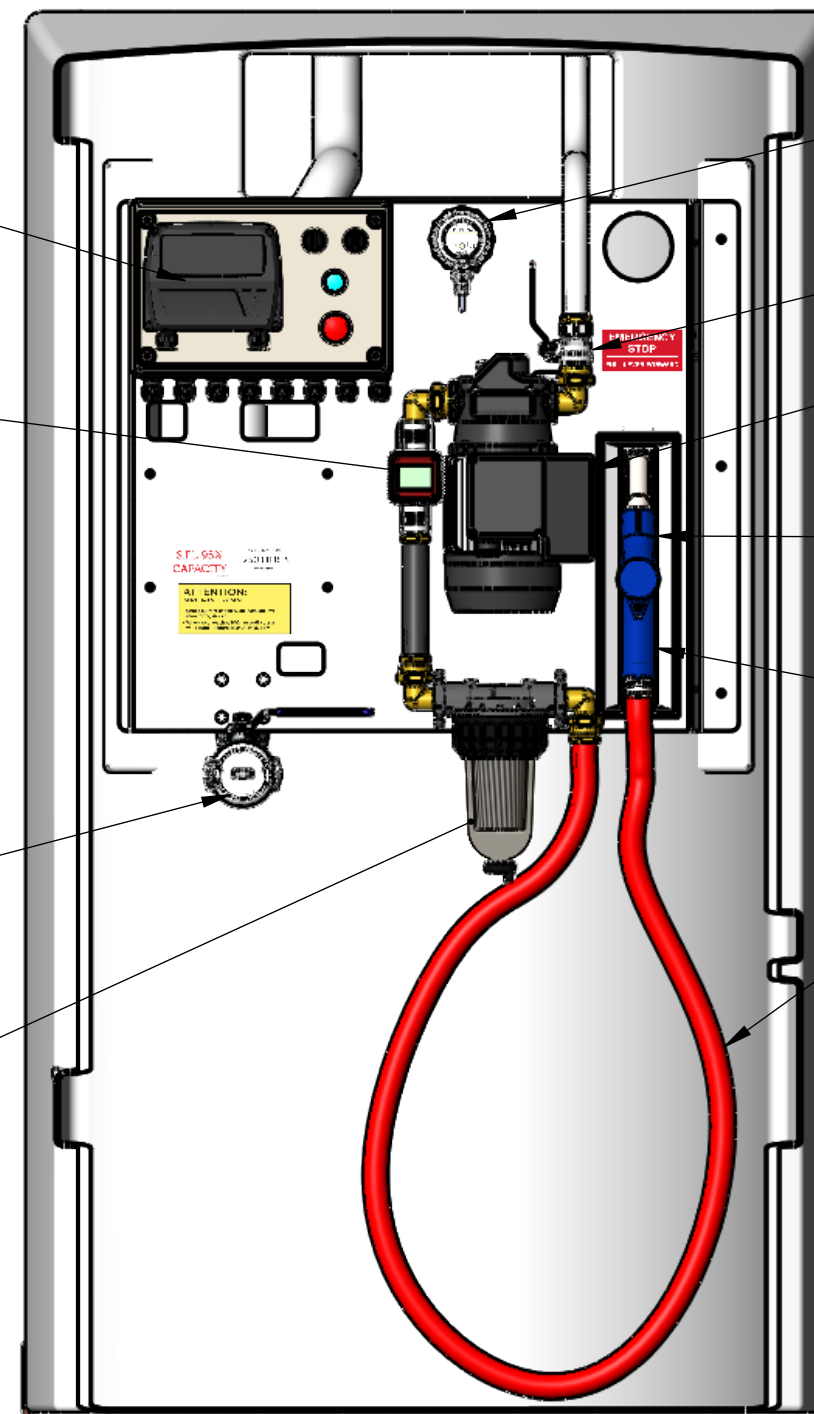
ISOLATING BALL VALVE

240V 100LPM DIESEL PUMP

AUTOMATIC TRIGGER NOZZLE

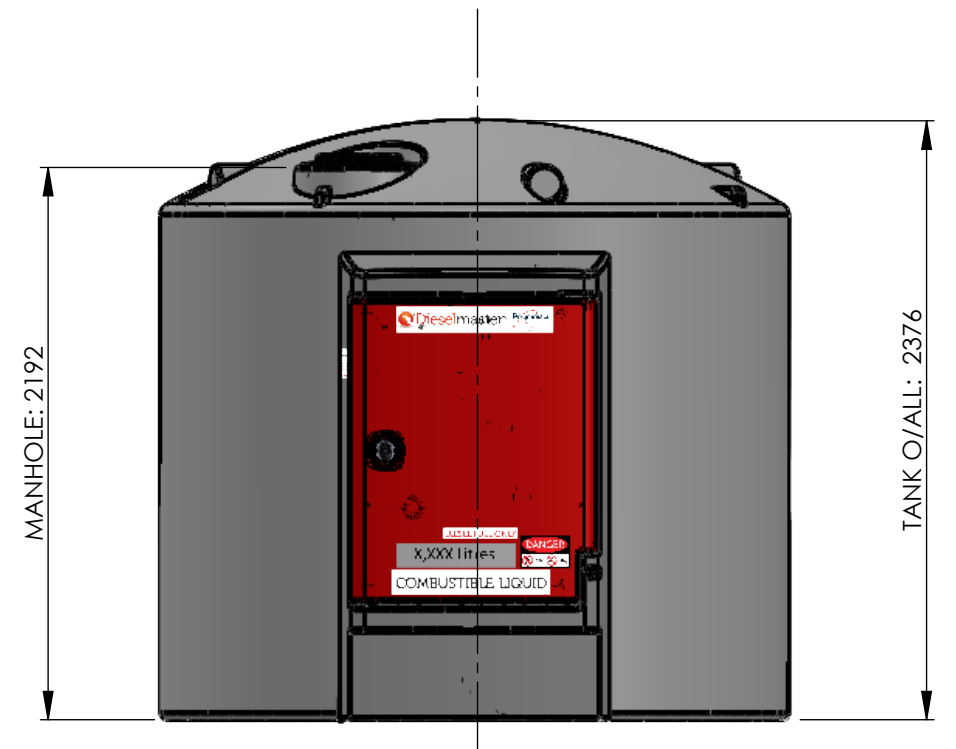
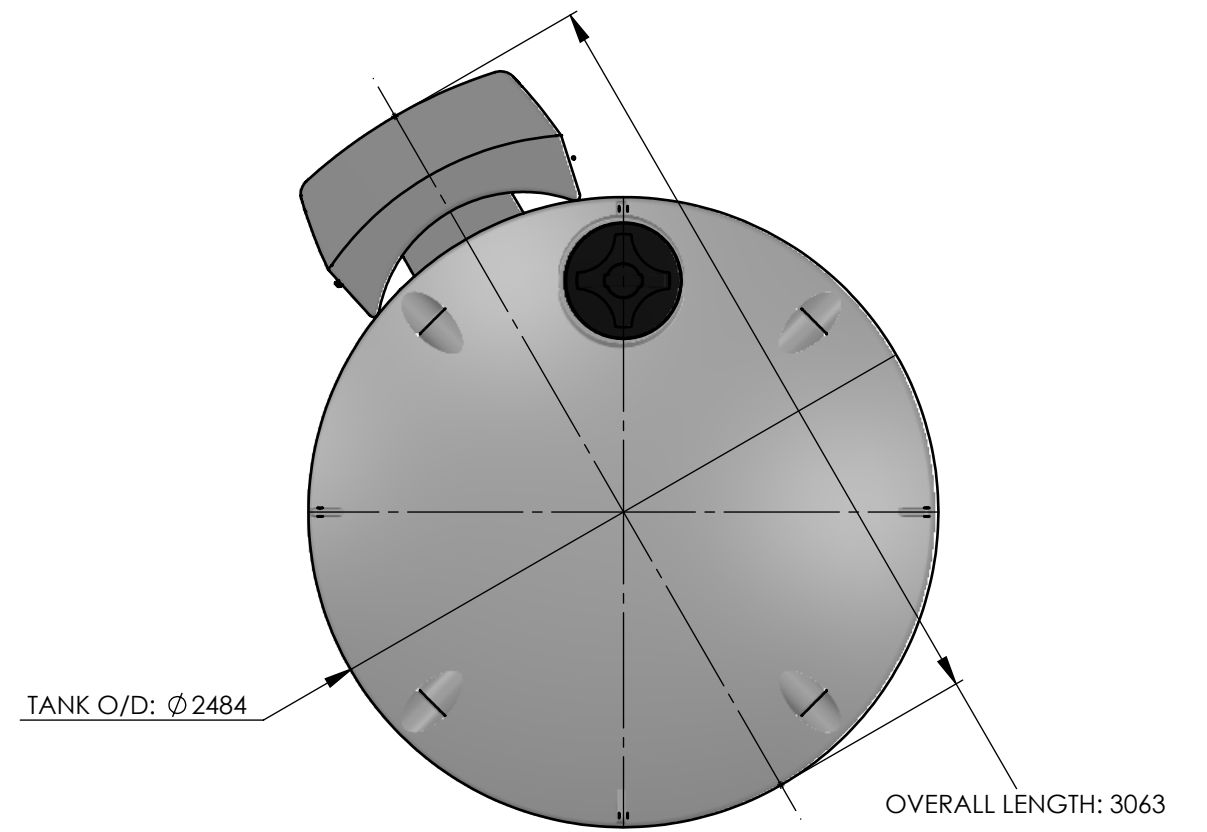
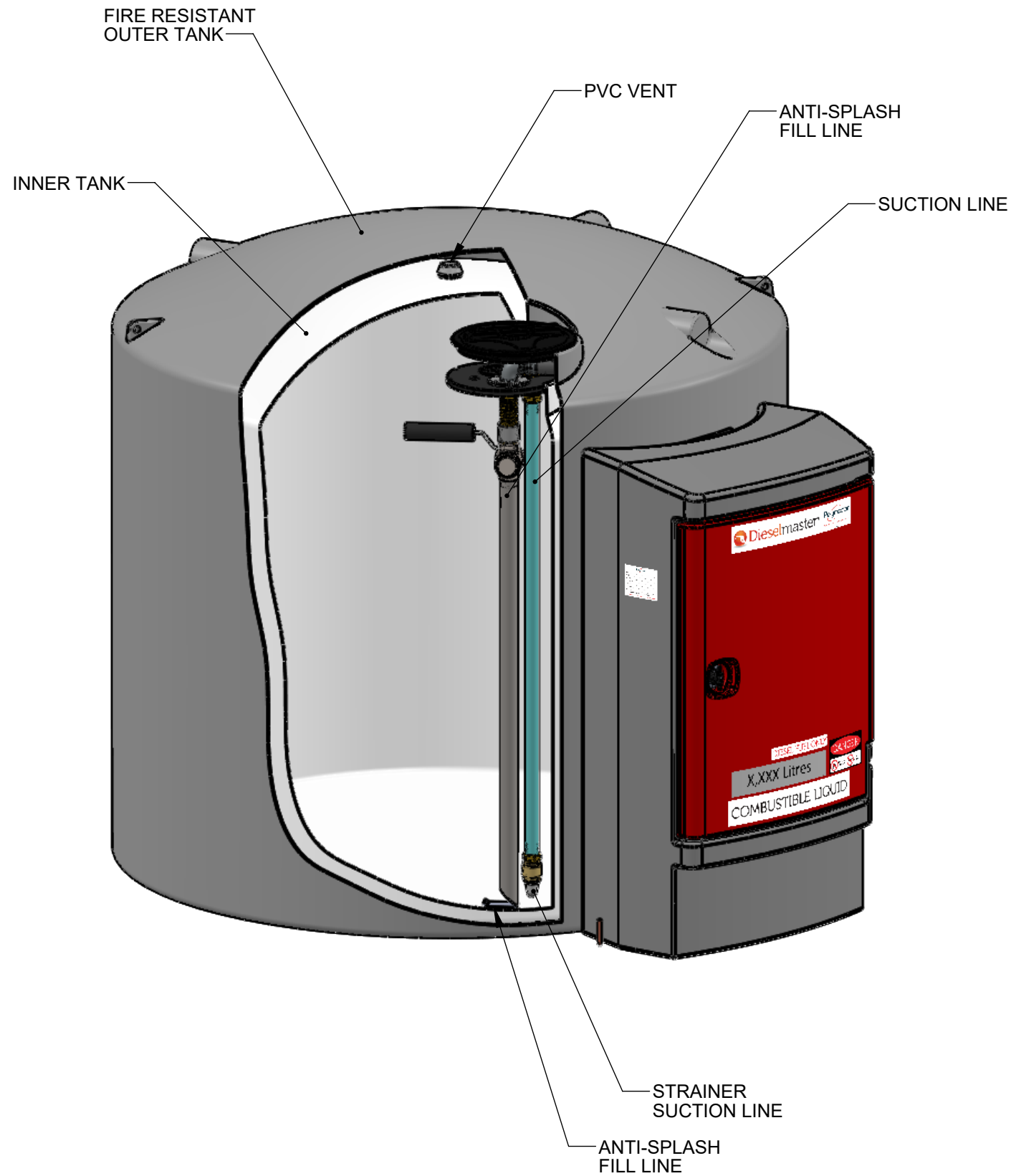
NOZZLE HOLDER WITH PUMP SHUT OFF

6m x 1" HOSE



SECTION THRU CABINET FRONT  
SCALE 1 : 10

				ALL TOLERANCES UNLESS OTHERWISE STATED $\pm 10\text{mm} / \pm 1^\circ$		DO NOT SCALE, USE DIMENSIONS. ALL DIMENSIONS ARE IN mm					
				 161 KARINE STREET SWAN HILL, VIC 3585 Ph. (03) 5033 9000 Fx: (03) 5033 0224		DESCRIPTION		7000L DIESEL BUNDED TANK		A3 SHEET SIZE	
						PRODUCT CODE		DMDS7000R			
						MATERIAL					
						COLOUR					
						LEVEL		DRAWING No.		DMDS7000R-01-01	
				© POLYMASTER GROUP		DRAWN		ZP		11/12/2020 1/2 Rev: A	



REV	DRAWN	DATE	PARTICULARS
A	ZP	11/12/2020	

ALL TOLERANCES UNLESS OTHERWISE STATED  $\pm 10\text{mm} / \pm 1^\circ$

**Polymaster**  
 161 KARINE STREET  
 SWAN HILL, VIC  
 3585  
 Ph. (03) 5033 9000  
 Fx: (03) 5033 0224

© POLYMASTER GROUP

DESCRIPTION	7000L DIESEL BUNDED TANK
PRODUCT CODE	DMDS7000R
MATERIAL	
COLOUR	
LEVEL	
DRAWING No.	DMDS7000R-01-01

DO NOT SCALE, USE DIMENSIONS. ALL DIMENSIONS ARE IN mm

SCALE: 1:20

A3  
SHEET SIZE

DRAWN ZP 11/12/2020 2/2 Rev: A