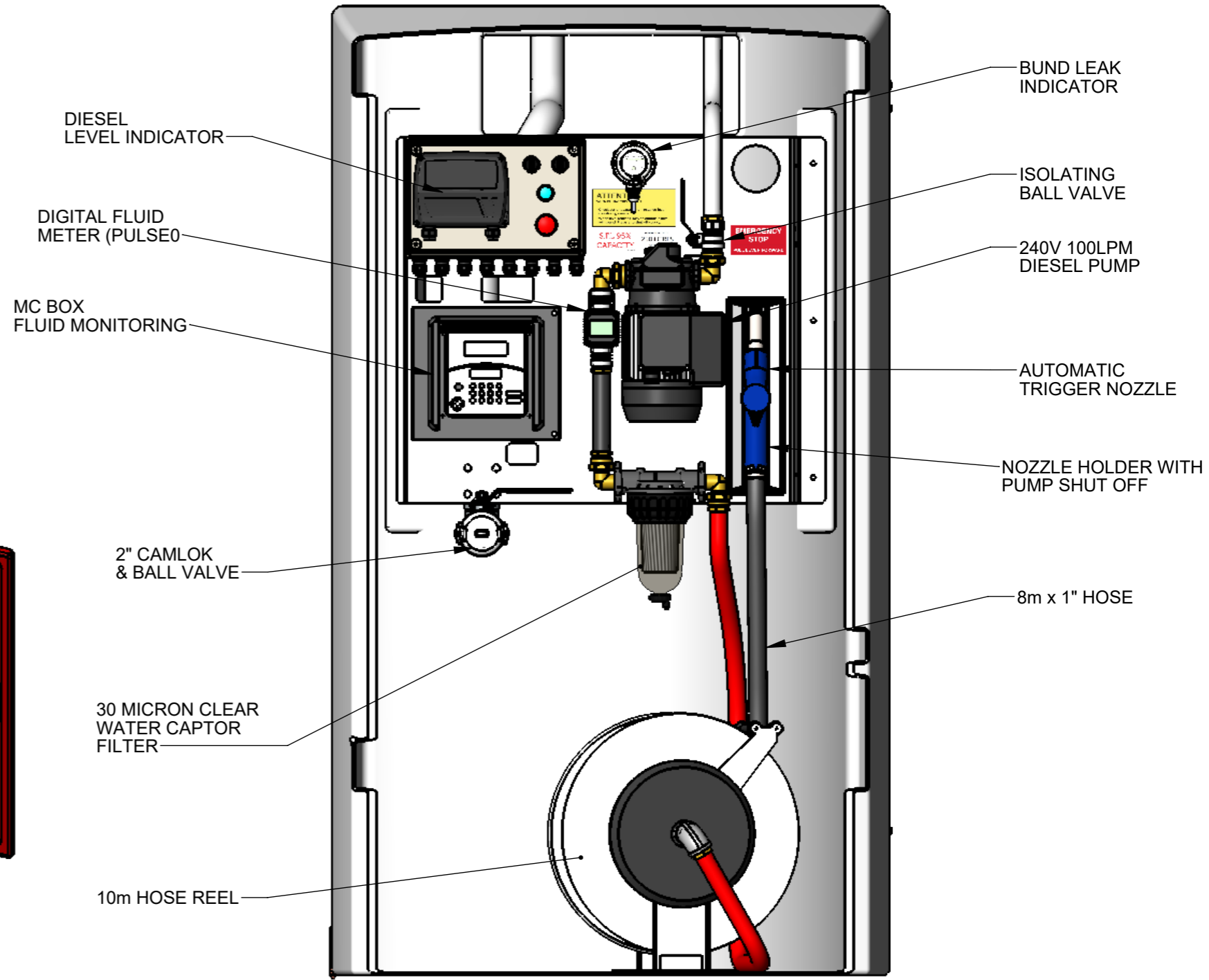

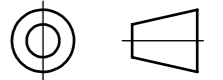
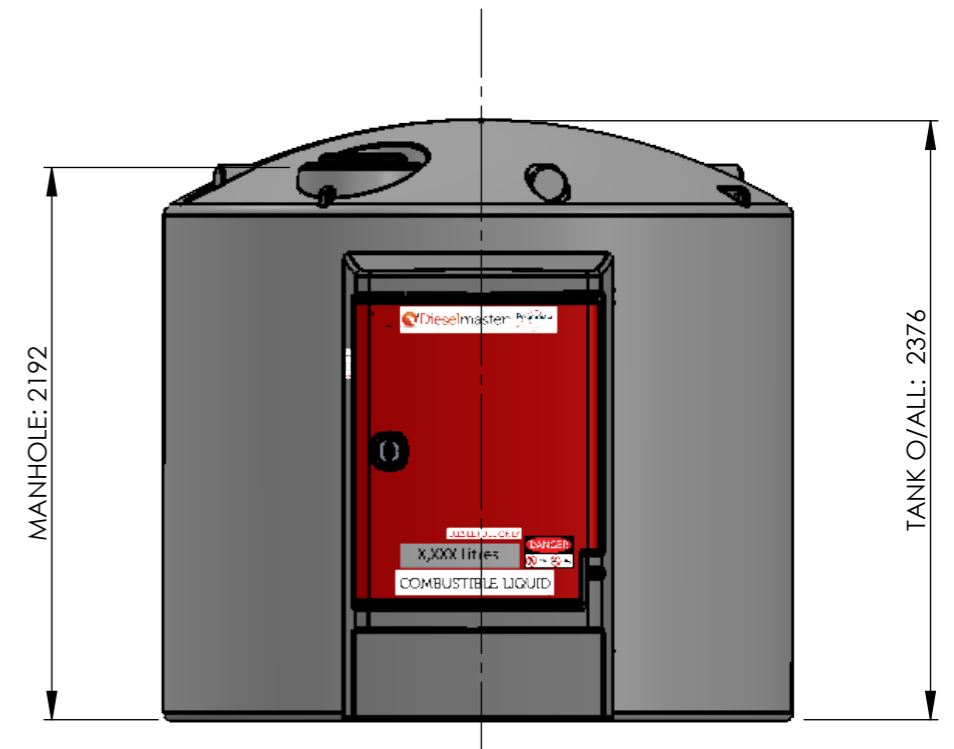
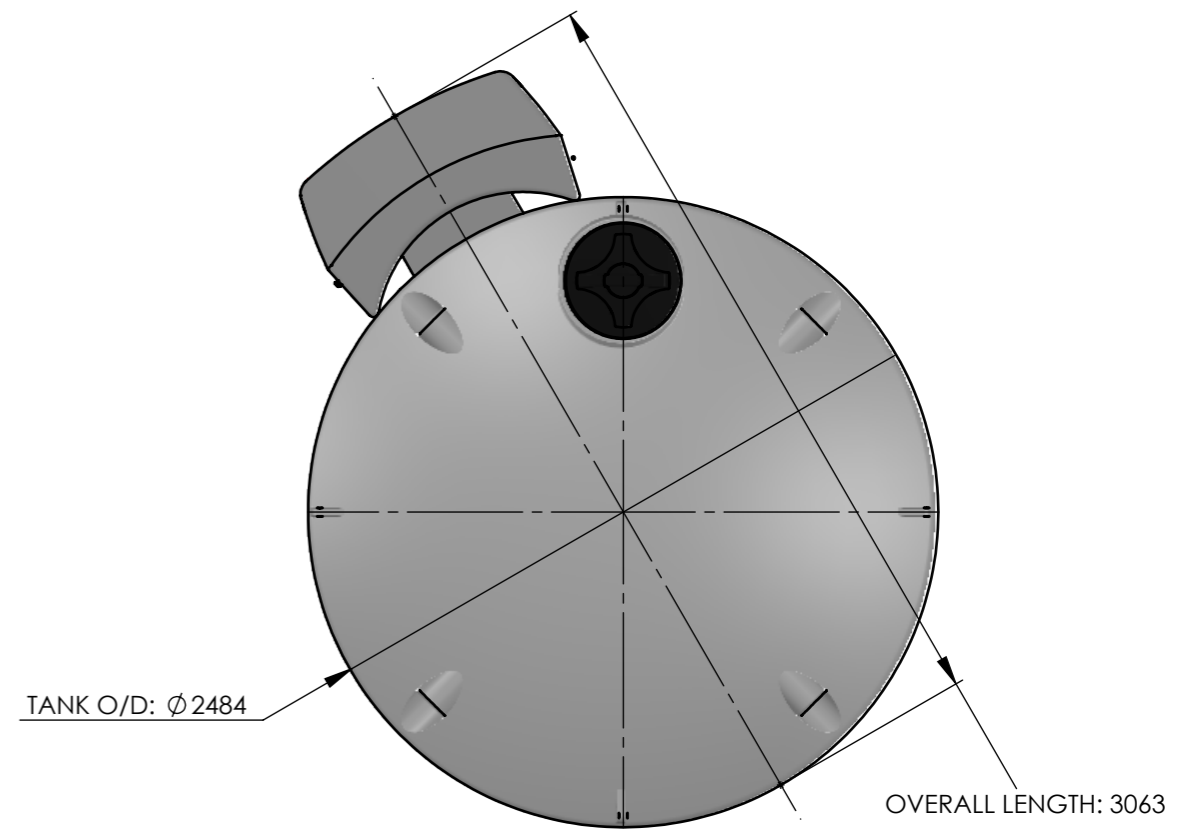
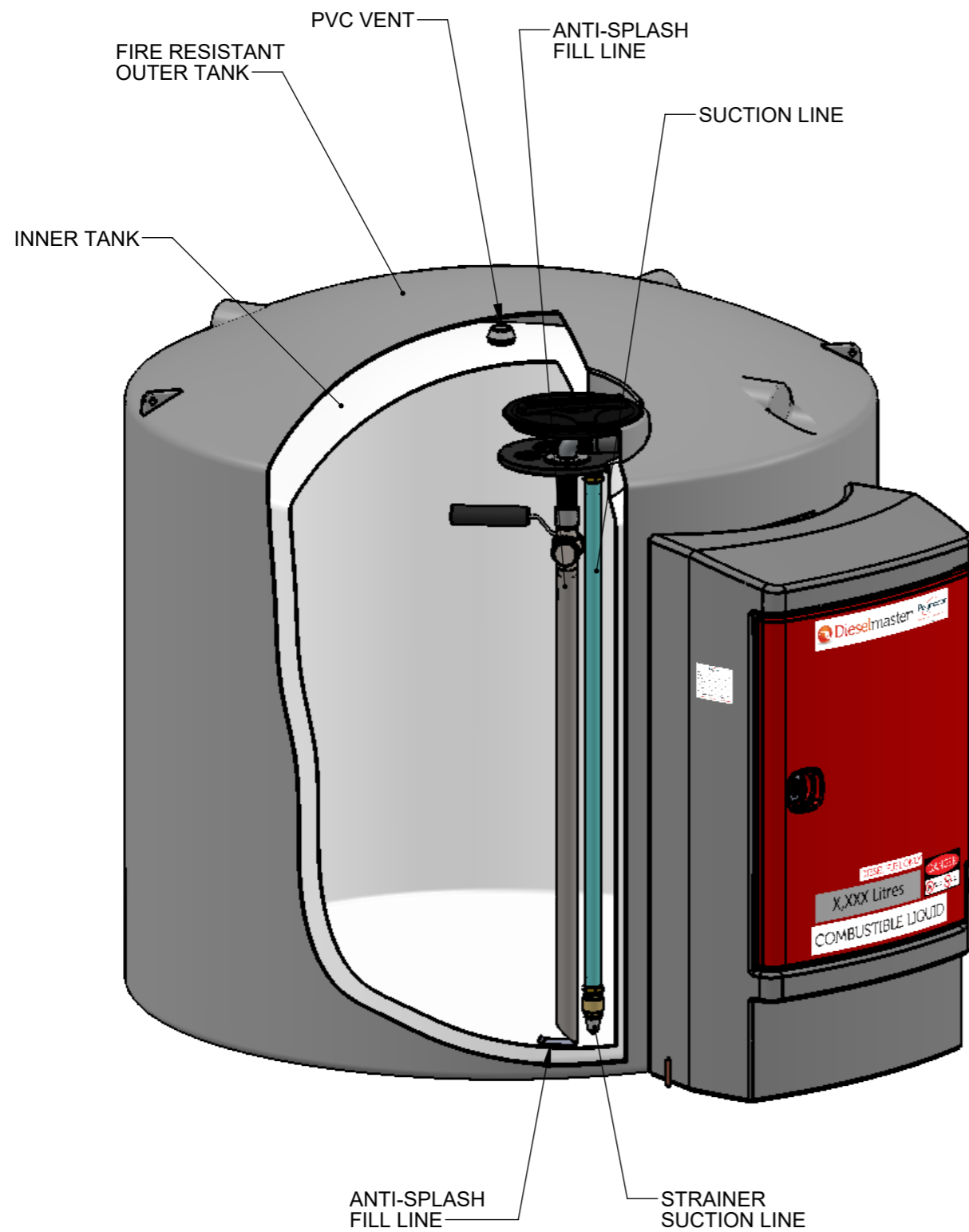


7,000L MODEL SHOWN



SECTION THRU CABINET FRONT  
SCALE 1 : 10

				ALL TOLERANCES UNLESS OTHERWISE STATED $\pm 10\text{mm} / \pm 1^\circ$		DO NOT SCALE, USE DIMENSIONS. ALL DIMENSIONS ARE IN mm									
				 161 KARINE STREET SWAN HILL, VIC 3585 Ph. (03) 5033 9000 Fx: (03) 5033 0224		DESCRIPTION		7,000L DIESEL BUNDED TANK		A3 SHEET SIZE	SCALE: 1:20				
						PRODUCT CODE		DMDS7000Q							
						MATERIAL									
				COLOUR						DRAWN	ZP	18/01/2021	1/2	Rev: B	
B	ZP	10/05/21	ADDED HOSE REELER	LEVEL		DRAWING No.		DMDS7000Q-01-01							
A	ZP	18/01/2021	FIRST ISSUE	© POLYMASTER GROUP											
REV	DRAWN	DATE	PARTICULARS												



REV	DRAWN	DATE	PARTICULARS
A	ZP	18/01/2021	FIRST ISSUE

ALL TOLERANCES UNLESS OTHERWISE STATED  $\pm 10\text{mm} / \pm 1^\circ$

**Polymaster**

161 KARINE STREET  
SWAN HILL, VIC  
3585  
Ph. (03) 5033 9000  
Fx: (03) 5033 0224

© POLYMASTER GROUP

DESCRIPTION		7,000L DIESEL BUNDED TANK	
PRODUCT CODE		DMDS7000Q	
MATERIAL			
COLOUR			
LEVEL	DRAWING No.	DMDS7000Q-01-01	

DO NOT SCALE, USE DIMENSIONS. ALL DIMENSIONS ARE IN mm

SCALE: 1:20

A3 SHEET SIZE

DRAWN ZP 18/01/2021 2/2 Rev: B