

EARTH ROD

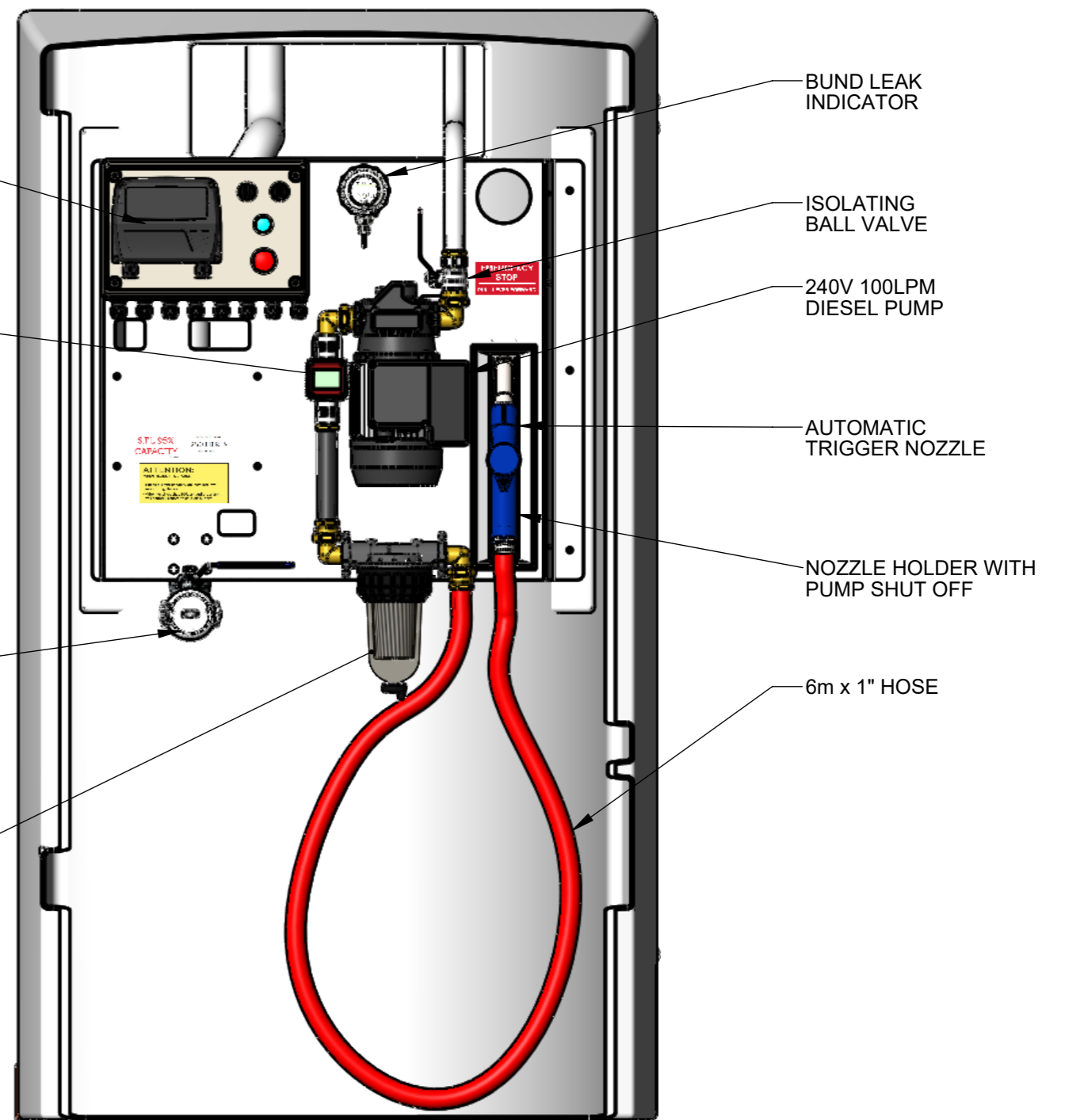
5,000L MODEL SHOWN

DIESEL LEVEL INDICATOR

DIGITAL FLUID METER

2" CAMLOK & BALL VALVE

30 MICRON CLEAR WATER CAPTOR FILTER



BUND LEAK INDICATOR

ISOLATING BALL VALVE


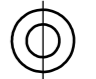
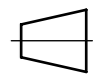
240V 100LPM DIESEL PUMP

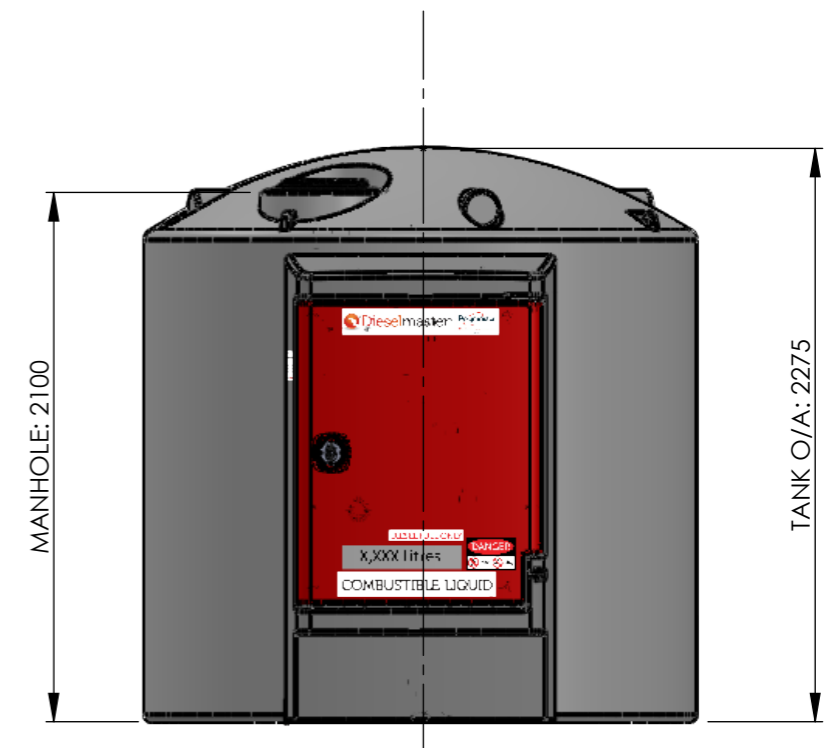
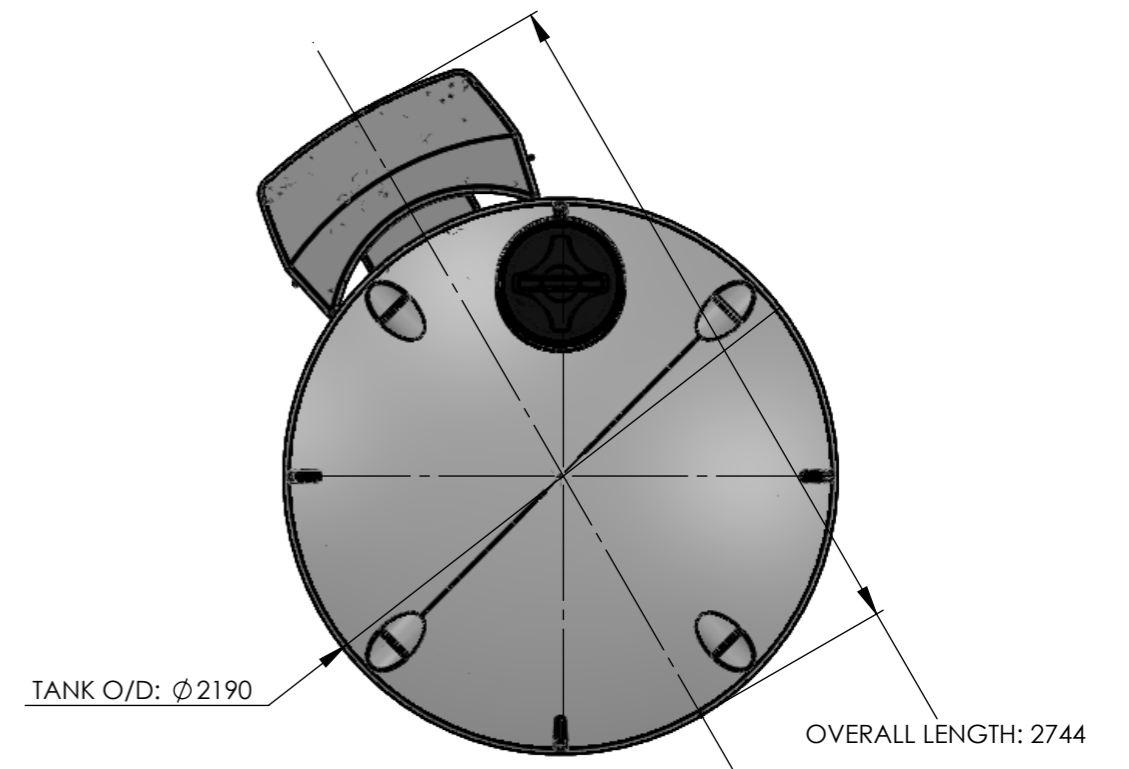
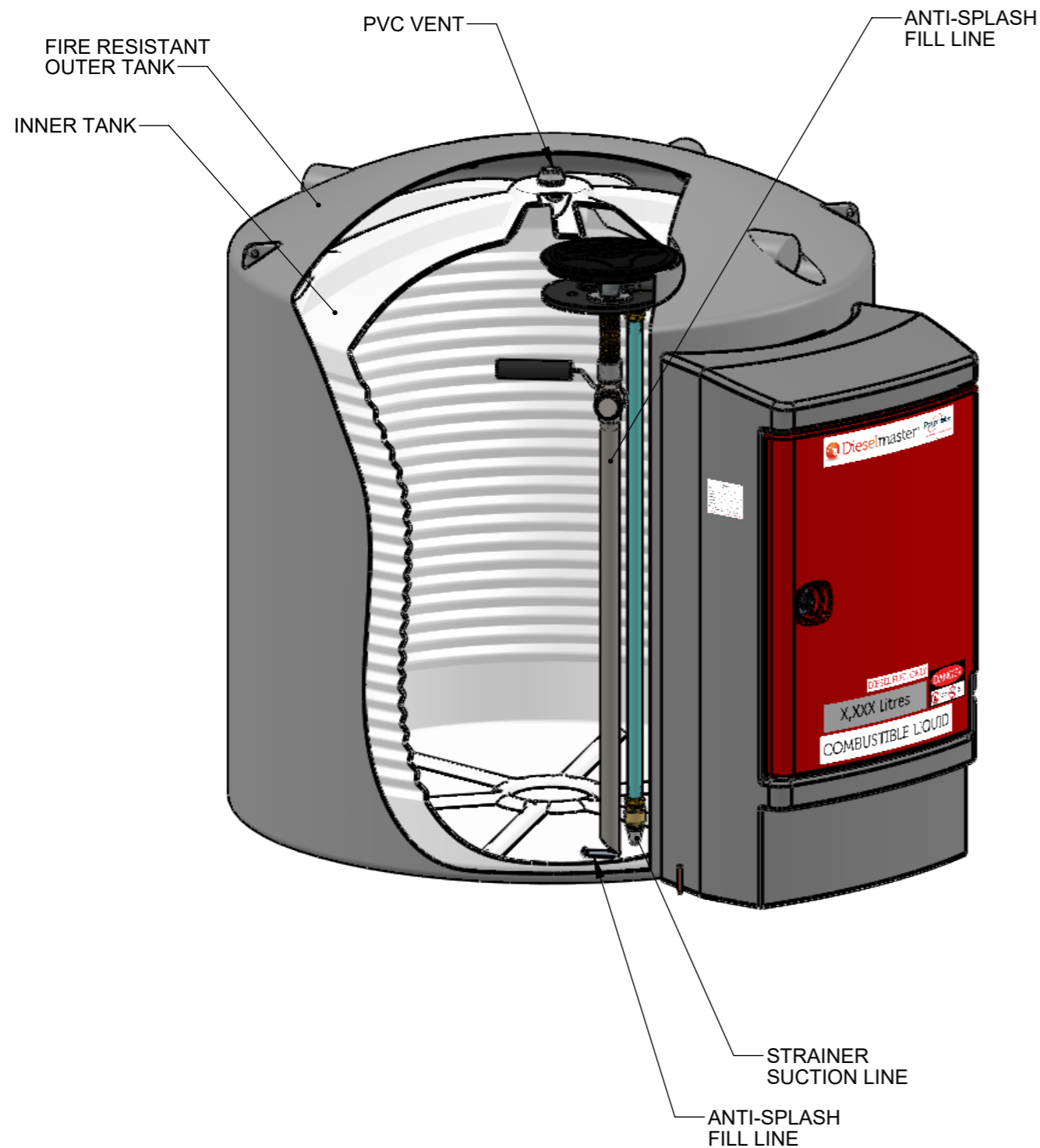
AUTOMATIC TRIGGER NOZZLE

NOZZLE HOLDER WITH PUMP SHUT OFF

6m x 1" HOSE

SECTION THRU CABINET FRONT
SCALE 1 : 10

				ALL TOLERANCES UNLESS OTHERWISE STATED $\pm 10\text{mm} / \pm 1^\circ$		DO NOT SCALE, USE DIMENSIONS. ALL DIMENSIONS ARE IN mm					
				 <p>161 KARINE STREET SWAN HILL, VIC 3585 Ph. (03) 5033 9000 Fx: (03) 5033 0224</p> <p>© POLYMASTER GROUP</p>		DESCRIPTION		5000L DIESEL BUNDED TANK		<p>A3 SHEET SIZE</p> <p>SCALE: 1:20</p>  	
						PRODUCT CODE		DMDS5000R			
						MATERIAL					
				COLOUR							
				LEVEL		DRAWING No.		DMDS5000R-01-01			
A	ZP	11/12/2020	FIRST RELEASE			DRAWN		ZP	11/12/2020	1/2	Rev: A
REV	DRAWN	DATE	PARTICULARS								



REV	DRAWN	DATE	PARTICULARS
A	ZP	11/12/2020	FIRST RELEASE

ALL TOLERANCES UNLESS OTHERWISE STATED $\pm 10\text{mm} / \pm 1^\circ$

Polymaster

161 KARINE STREET
SWAN HILL, VIC
3585
Ph. (03) 5033 9000
Fx: (03) 5033 0224

© POLYMASTER GROUP

DESCRIPTION		DO NOT SCALE, USE DIMENSIONS. ALL DIMENSIONS ARE IN mm	
5000L DIESEL BUNDED TANK		SCALE: 1:20	
PRODUCT CODE		A3 SHEET SIZE	
DMDS5000R			
MATERIAL		DRAWN	
COLOUR		ZP	
LEVEL	DRAWING No.	11/12/2020	2/2 Rev: A
	DMDS5000R-01-01		