

EARTH ROD

5,000L MODEL SHOWN

DIESEL LEVEL INDICATOR

DIGITAL FLUID METER (PULSE0

MC BOX FLUID MONITORING

2" CAMLOK & BALL VALVE

30 MICRON CLEAR WATER CAPTOR FILTER

10m CABLE REEL

BUND LEAK INDICATOR

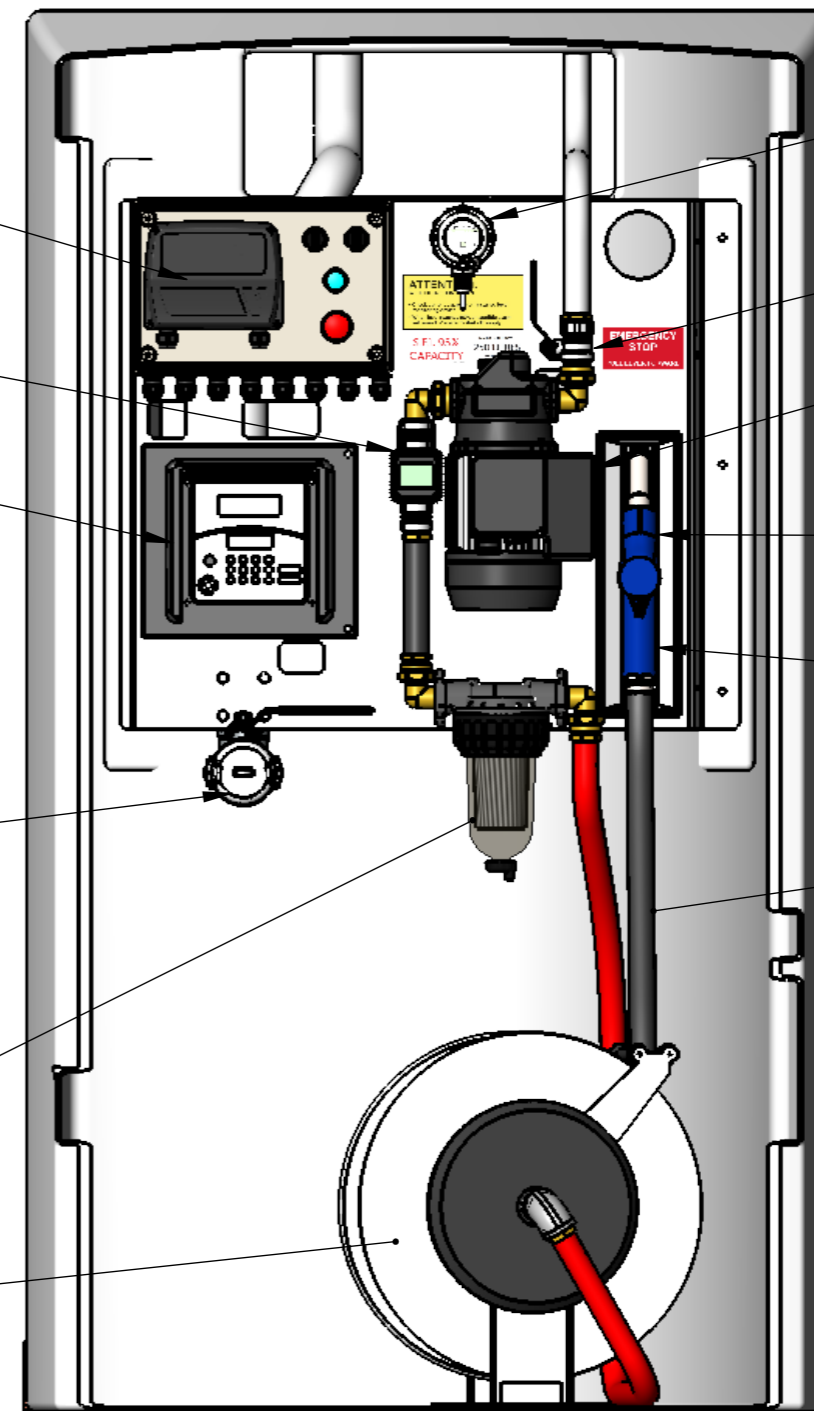
ISOLATING BALL VALVE

240V 100LPM DIESEL PUMP

AUTOMATIC TRIGGER NOZZLE

NOZZLE HOLDER WITH PUMP SHUT OFF

8m x 1" HOSE



SECTION THRU CABINET FRONT
SCALE 1 : 10

REV	DRAWN	DATE	PARTICULARS
B	ZP	10/05/21	ADDED HOSE REELER
A	ZP	18/01/2021	FIRST ISSUE

ALL TOLERANCES UNLESS OTHERWISE STATED $\pm 10\text{mm} / \pm 1^\circ$

Polymaster

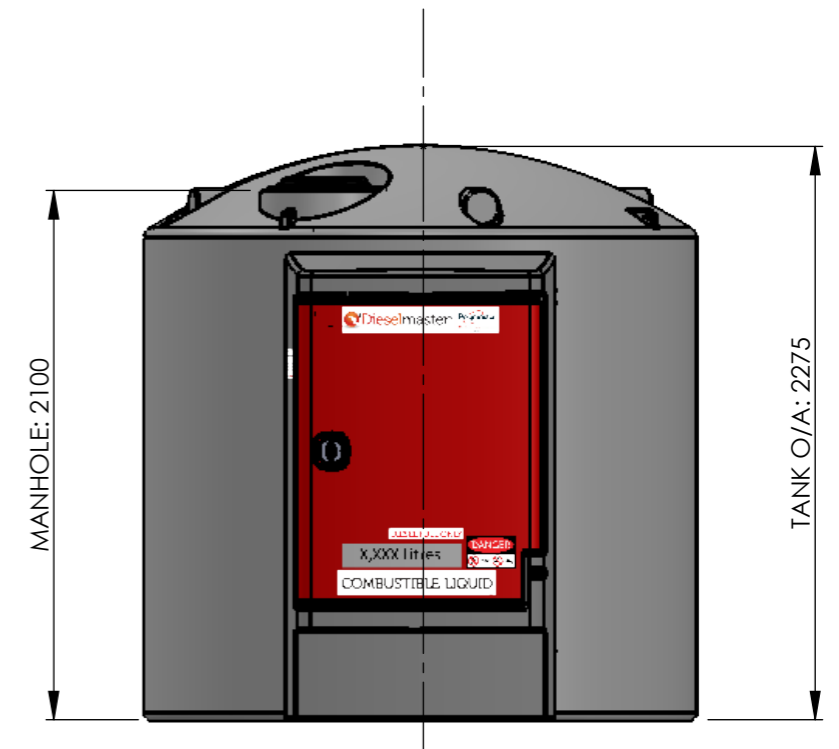
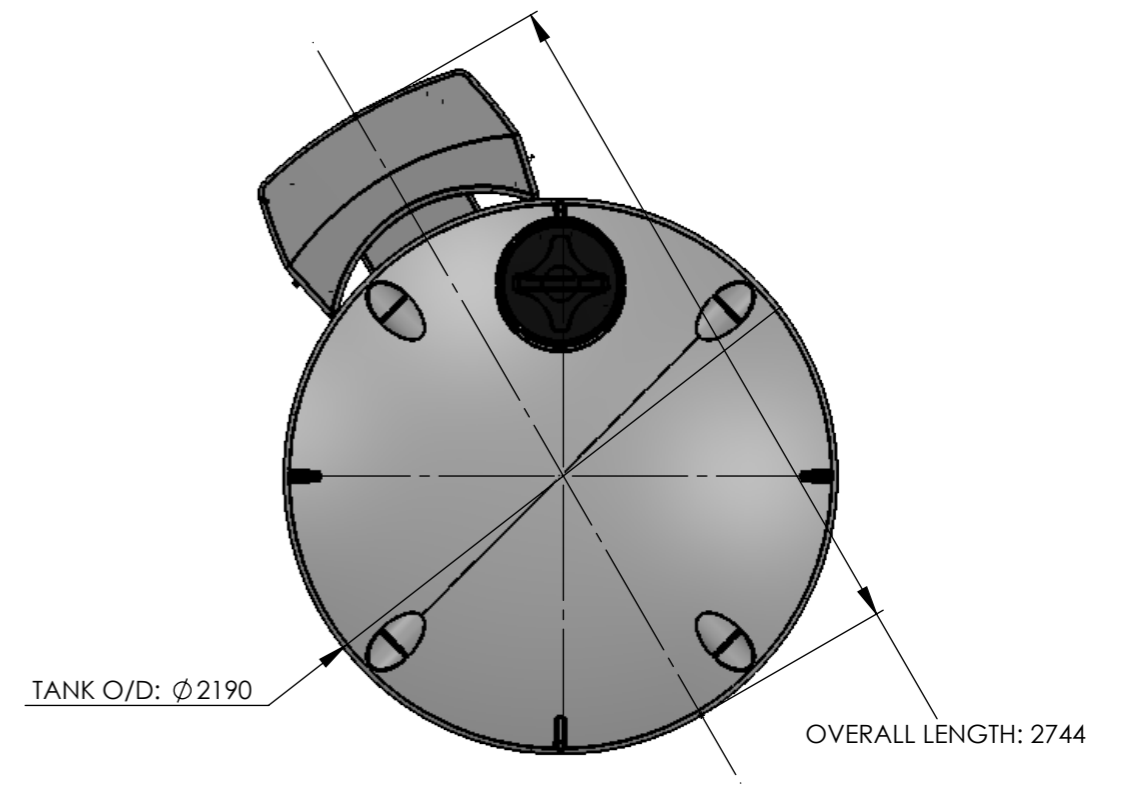
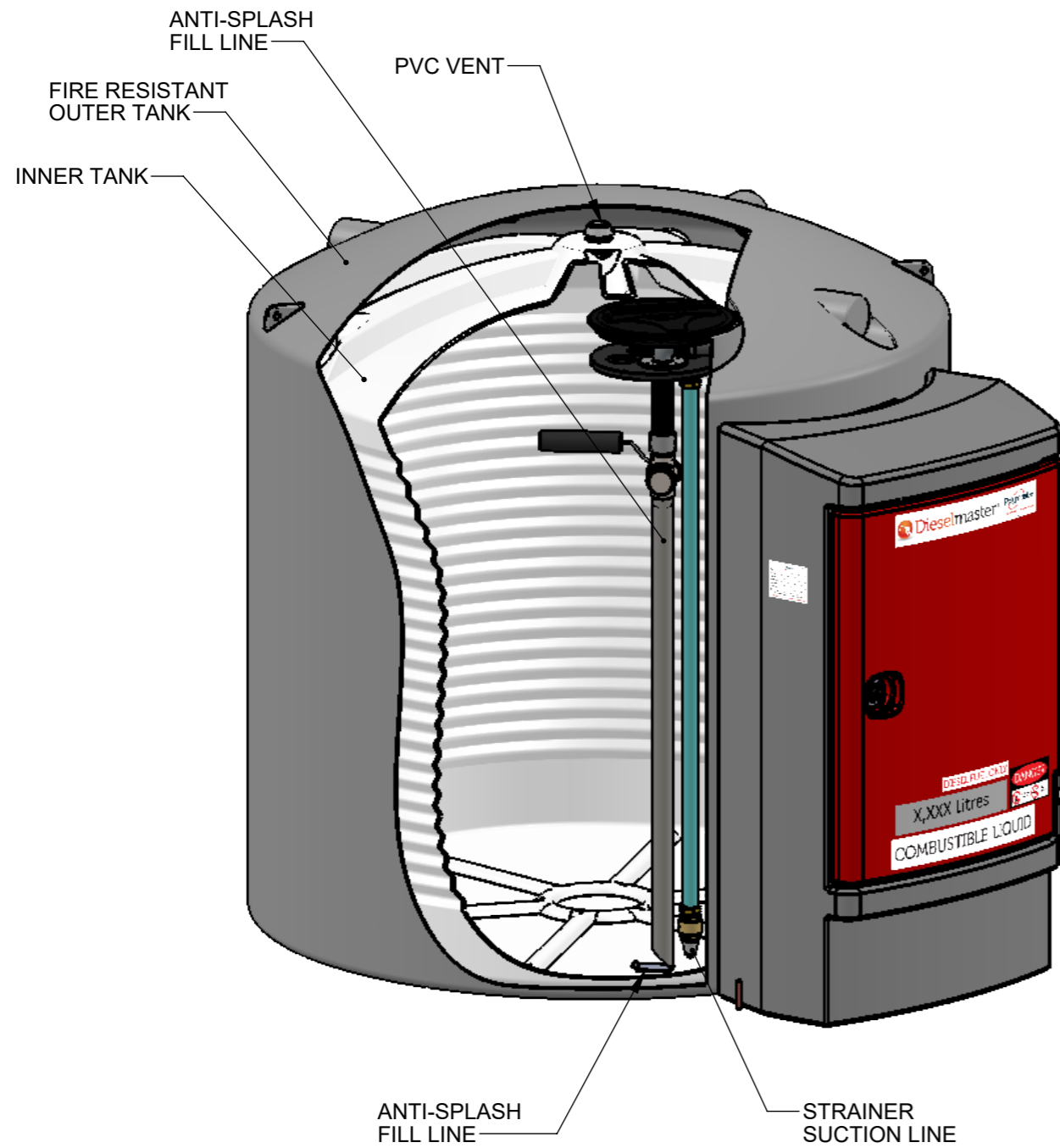
161 KARINE STREET
SWAN HILL, VIC
3585
Ph. (03) 5033 9000
Fx: (03) 5033 0224

© POLYMASTER GROUP

DESCRIPTION	5000L DIESEL SELF BUNDED TANK
PRODUCT CODE	DMDS5000Q
MATERIAL	
COLOUR	
LEVEL	
DRAWING No.	DMDS5000Q-01-01

DO NOT SCALE, USE DIMENSIONS. ALL DIMENSIONS ARE IN mm	
A3	SHEET SIZE
DRAWN	ZP
18/01/2021	1/2 Rev: B

SCALE: 1:20



REV	DRAWN	DATE	PARTICULARS
A	ZP	18/01/2021	FIRST ISSUE

ALL TOLERANCES UNLESS OTHERWISE STATED $\pm 10\text{mm} / \pm 1^\circ$

Polymaster

161 KARINE STREET
SWAN HILL, VIC
3585
Ph. (03) 5033 9000
Fx: (03) 5033 0224

© POLYMASTER GROUP

DESCRIPTION		DO NOT SCALE, USE DIMENSIONS. ALL DIMENSIONS ARE IN mm	
5000L DIESEL SELF BUNDED TANK		SCALE: 1:20	
PRODUCT CODE		DMDS5000Q	
MATERIAL		A3 SHEET SIZE	
COLOUR		DRAWN ZP 18/01/2021 2/2 Rev: B	
LEVEL	DRAWING No.	DMDS5000Q-01-01	

MANHOLE: 2100

TANK O/A: 2275

TANK O/D: Ø2190

OVERALL LENGTH: 2744