

EARTH ROD

3,300L MODEL SHOWN

DIESEL
LEVEL INDICATOR

DIGITAL FLUID
METER (PULSE0

MC BOX
FLUID MONITORING

2" CAMLOK
& BALL VALVE

30 MICRON CLEAR
WATER CAPTOR
FILTER

10m CABLE REEL

BUND LEAK
INDICATOR

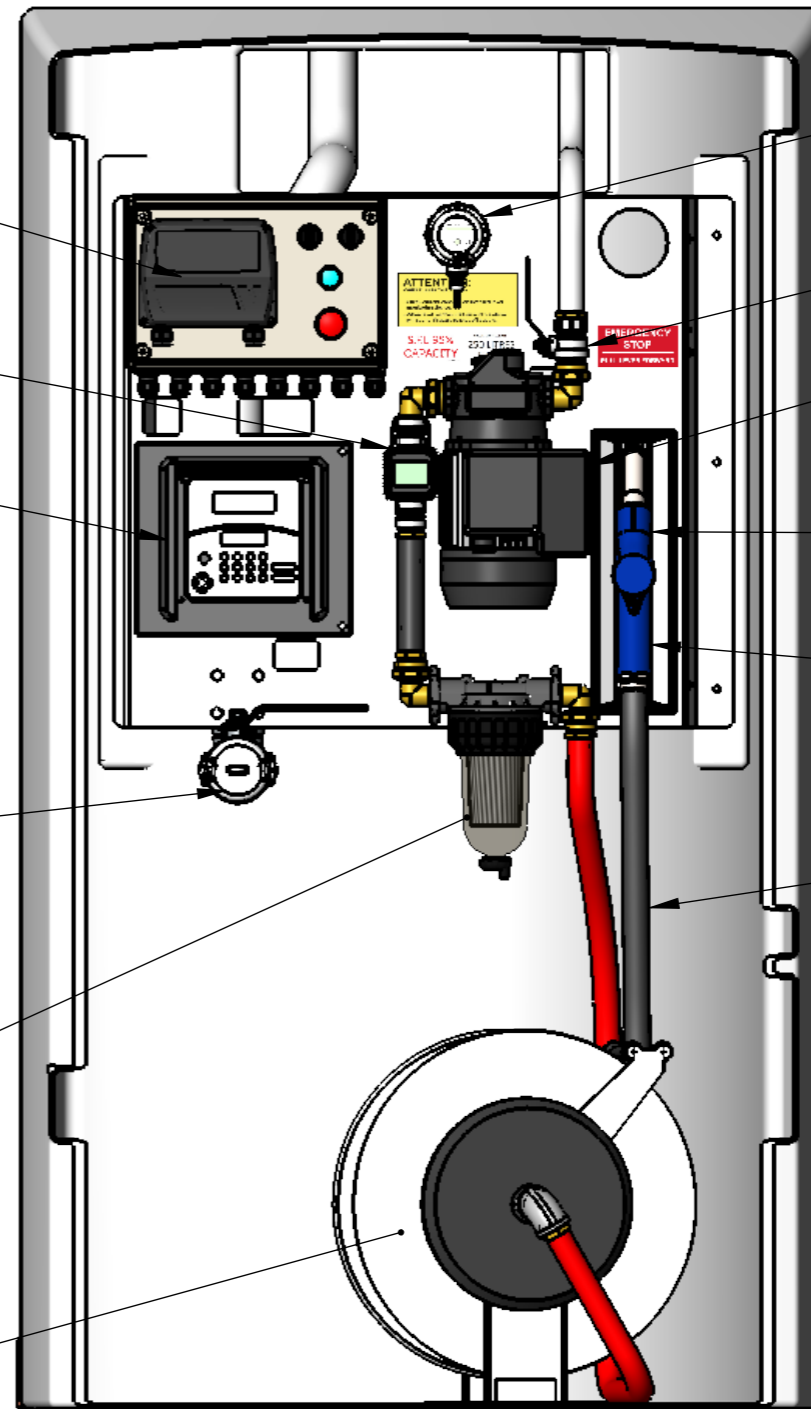
ISOLATING
BALL VALVE

240V 100LPM
DIESEL PUMP

AUTOMATIC
TRIGGER NOZZLE

NOZZLE HOLDER WITH
PUMP SHUT OFF

8m x 1" HOSE



SECTION THRU CABINET FRONT
SCALE 1 : 10

ALL TOLERANCES UNLESS OTHERWISE STATED $\pm 10\text{mm} / \pm 1^\circ$

DO NOT SCALE, USE DIMENSIONS. ALL DIMENSIONS ARE IN mm

REV	DRAWN	DATE	PARTICULARS
B	ZP	10/05/21	ADDED HOSE REELER
A	ZP	18/01/2021	FIRST RELEASE

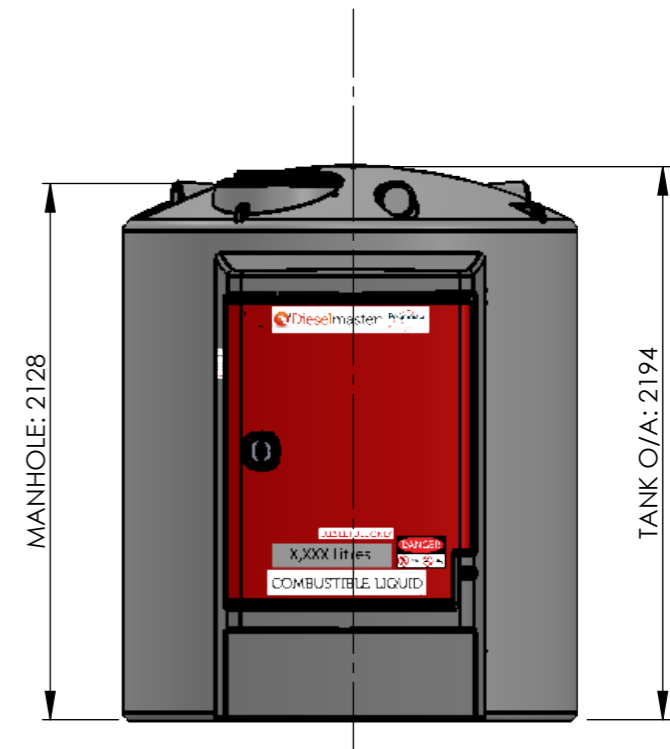
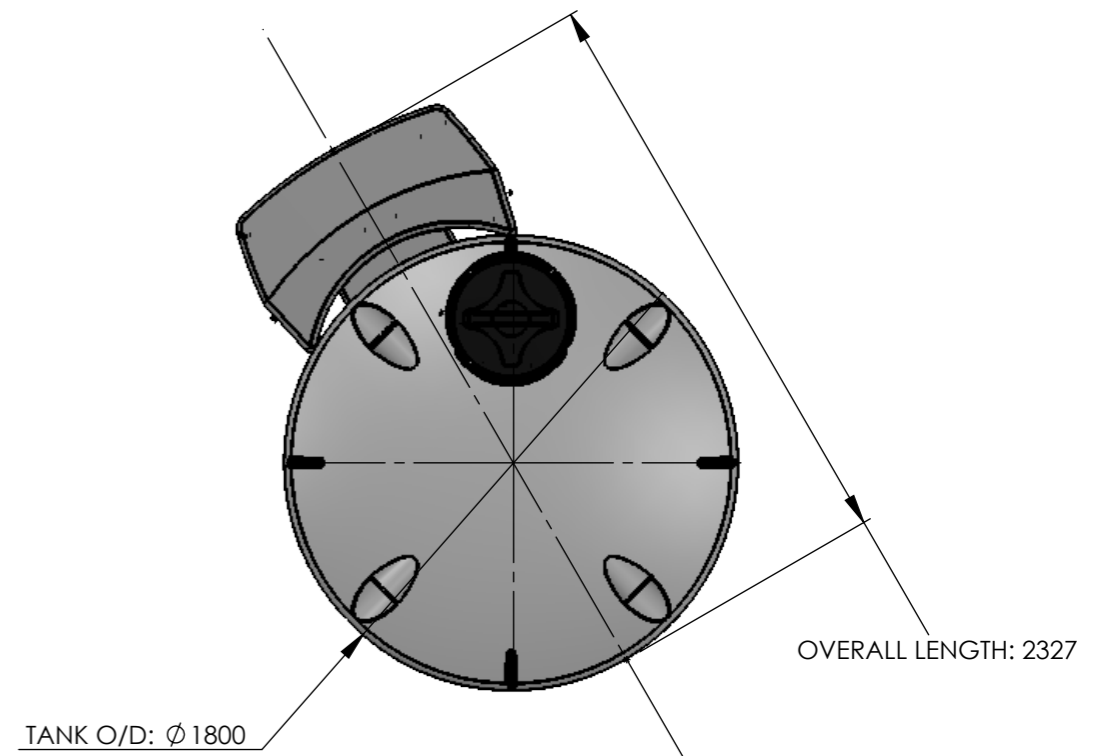
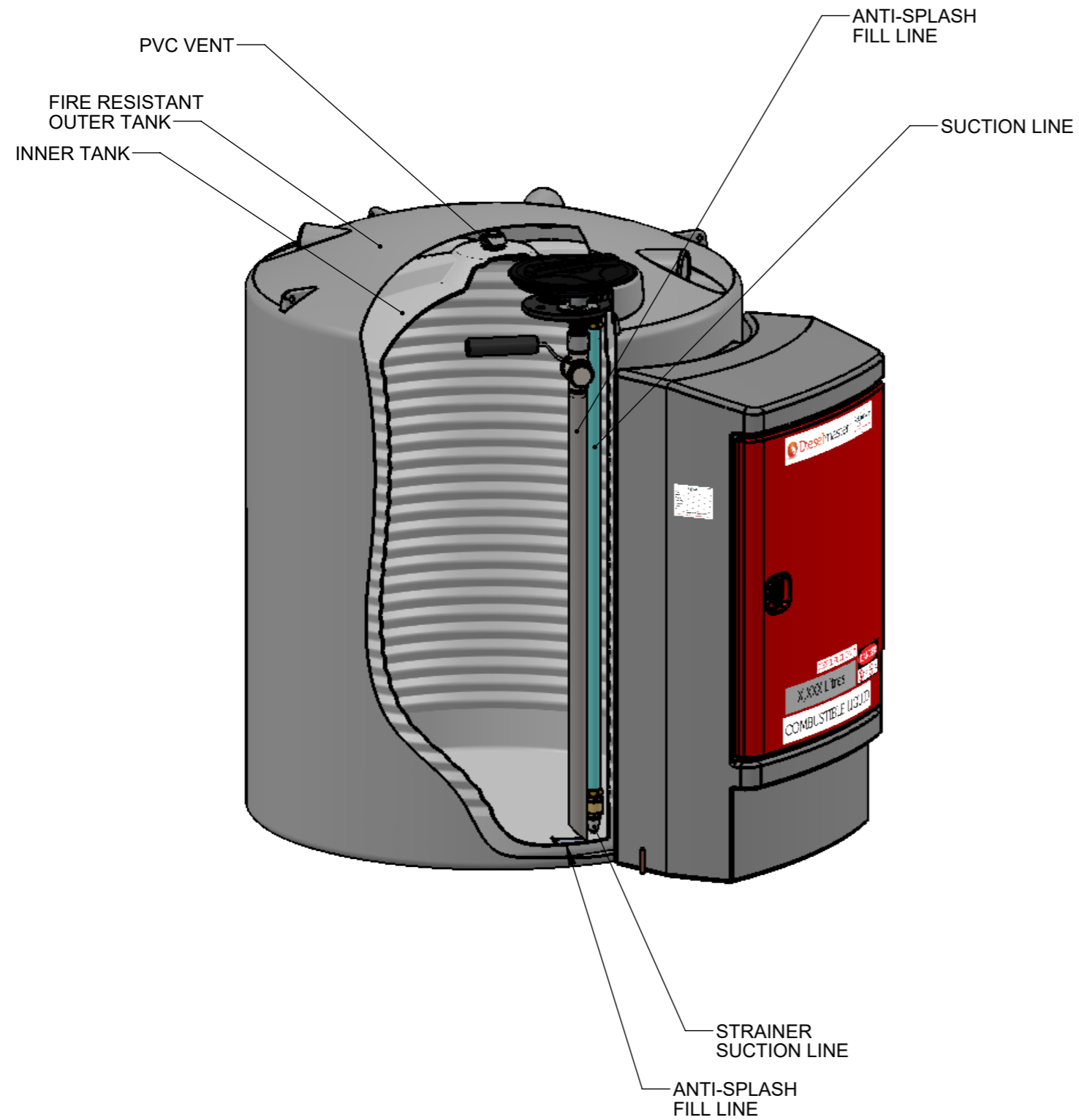
Polymaster

161 KARINE STREET
SWAN HILL, VIC
3585
Ph. (03) 5033 9000
Fx: (03) 5033 0224

© POLYMASTER GROUP

DESCRIPTION		3300L DIESEL BUNDED TANK
PRODUCT CODE		DMDS3300Q
MATERIAL		
COLOUR		
LEVEL	DRAWING No.	DMDS3300Q-01-01

SCALE: 1:20	
A3 SHEET SIZE	
DRAWN	ZP 18/01/2021 1/2 Rev: B



REV	DRAWN	DATE	PARTICULARS
A	ZP	18/01/2021	FIRST RELEASE

ALL TOLERANCES UNLESS OTHERWISE STATED $\pm 10\text{mm} / \pm 1^\circ$

Polymaster

161 KARINE STREET
SWAN HILL, VIC
3585
Ph. (03) 5033 9000
Fx: (03) 5033 0224

© POLYMASTER GROUP

DESCRIPTION		DO NOT SCALE, USE DIMENSIONS. ALL DIMENSIONS ARE IN mm	
3300L DIESEL BUNDED TANK		SCALE: 1:20	
PRODUCT CODE		DMDS3300Q	
MATERIAL		A3 SHEET SIZE	
COLOUR		DRAWN ZP 18/01/2021 2/2 Rev: B	
LEVEL	DRAWING No.	DMDS3300Q-01-01	

MANHOLE: 2128

TANK O/A: 2194

MANHOLE: 2128

TANK O/A: 2194