

2,300L MODEL SHOWN

DIESEL LEVEL INDICATOR

DIGITAL FLUID METER

2" CAMLOK & BALL VALVE

30 MICRON CLEAR WATER CAPTOR FILTER

BUND LEAK INDICATOR

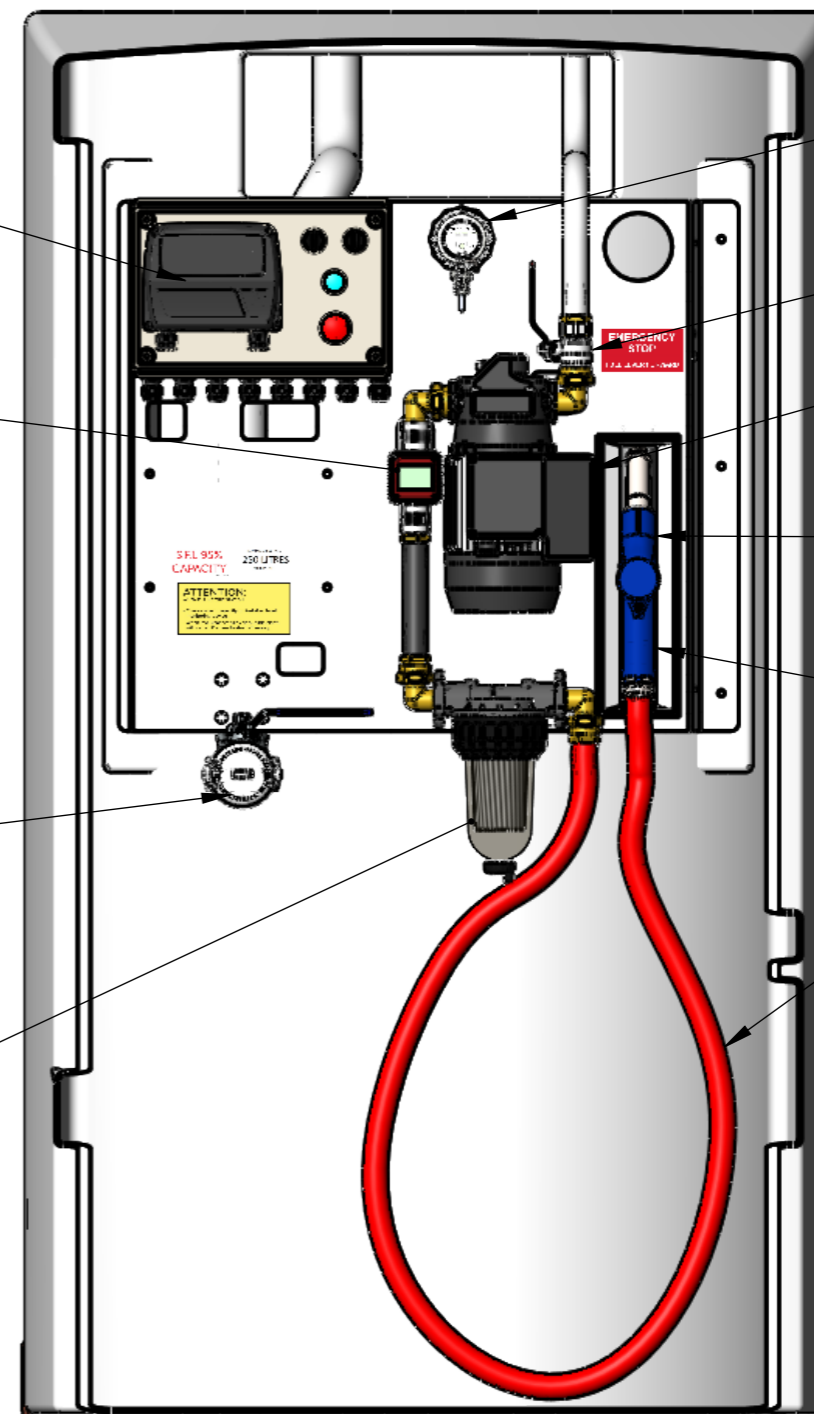
ISOLATING BALL VALVE

240V 100LPM DIESEL PUMP

AUTOMATIC TRIGGER NOZZLE

NOZZLE HOLDER WITH PUMP SHUT OFF

6m x 1" HOSE



SECTION THRU CABINET FRONT
SCALE 1 : 10

| REV | DRAWN | DATE | PARTICULARS |
|-----|-------|------------|---------------|
| A | ZP | 11/12/2020 | FIRST RELEASE |

ALL TOLERANCES UNLESS OTHERWISE STATED $\pm 10\text{mm} / \pm 1^\circ$

Polymaster

161 KARINE STREET
SWAN HILL, VIC
3585
Ph. (03) 5033 9000
Fx: (03) 5033 0224

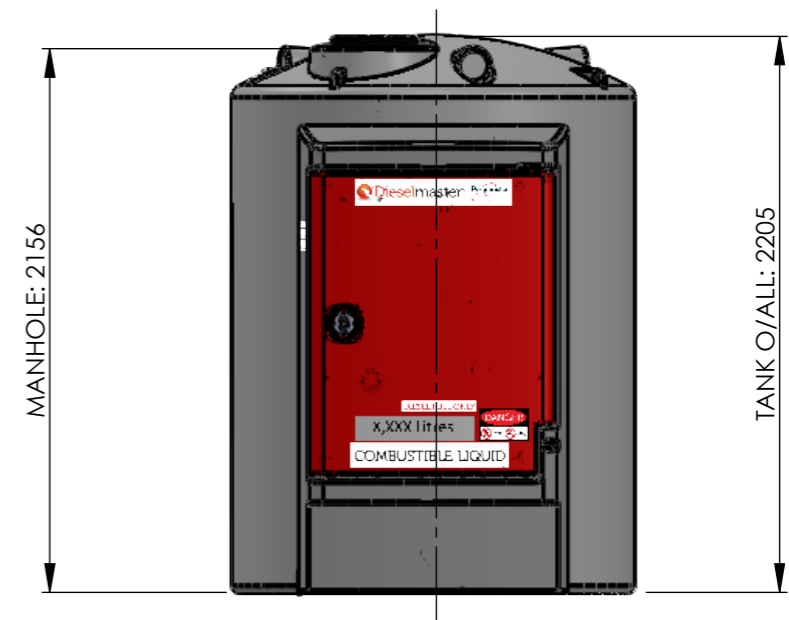
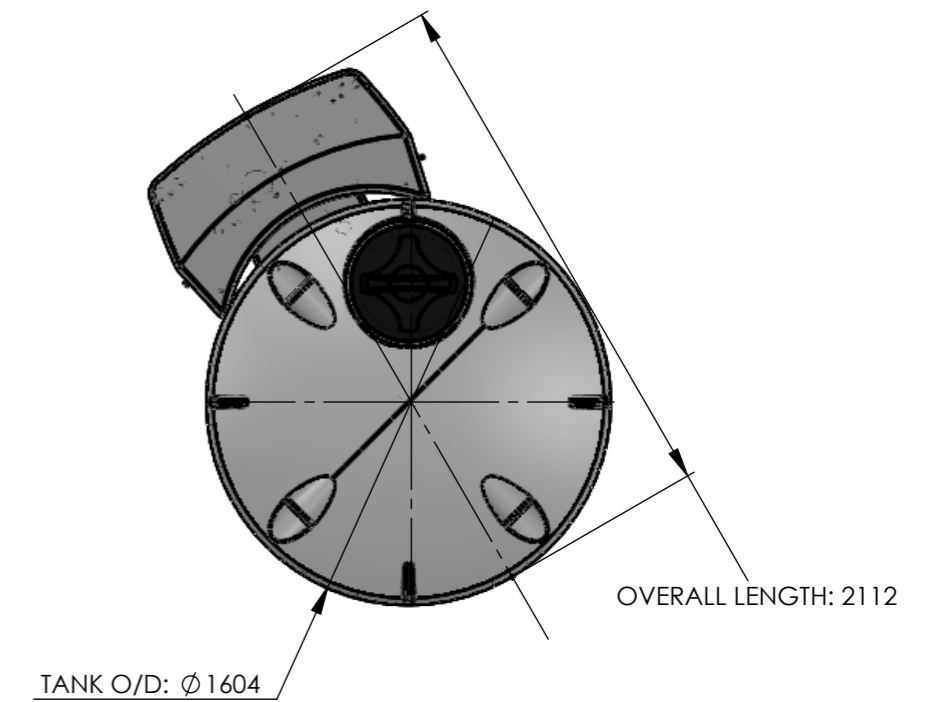
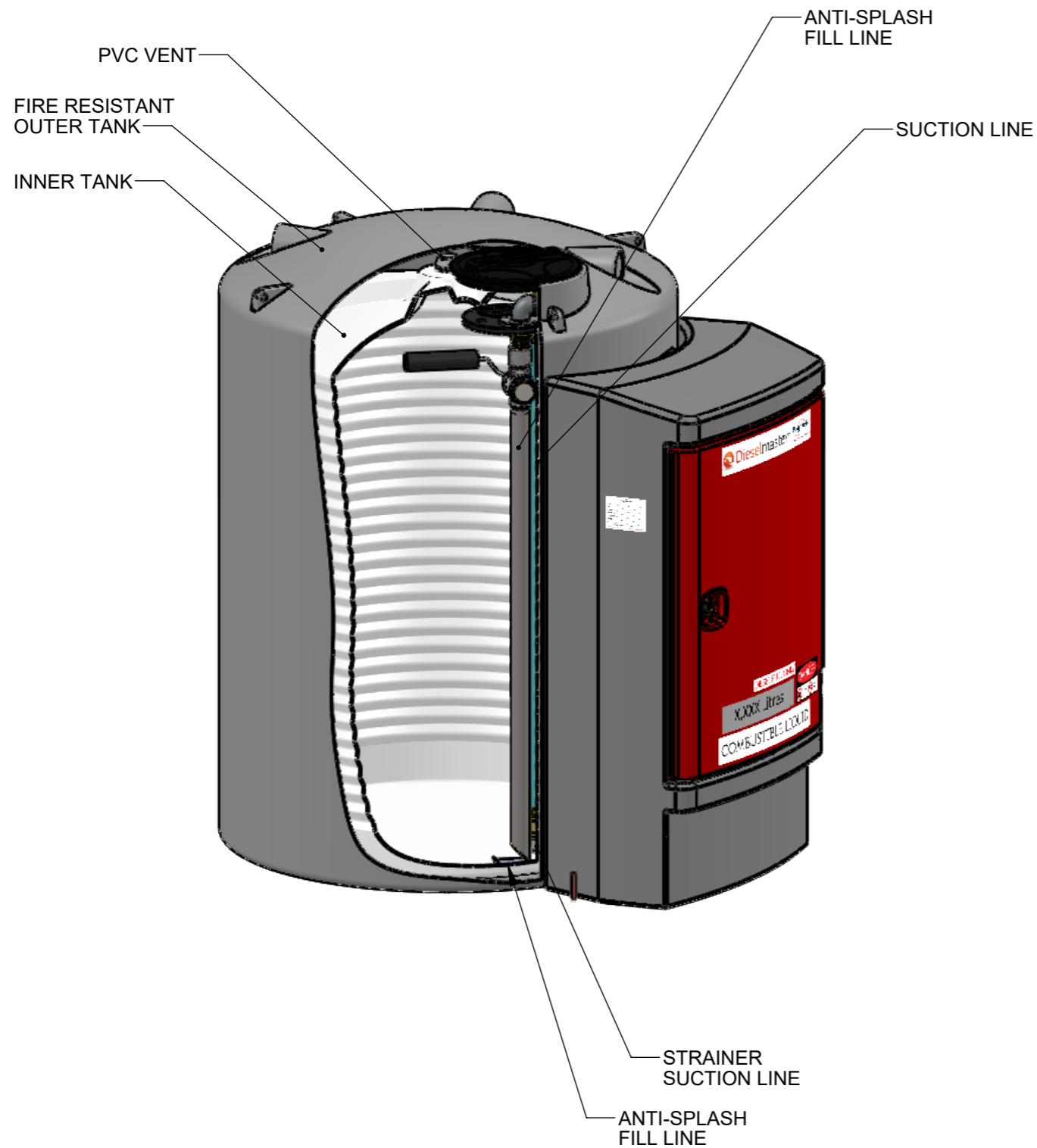
© POLYMASTER GROUP

| DESCRIPTION | | DO NOT SCALE, USE DIMENSIONS. ALL DIMENSIONS ARE IN mm | |
|---------------------------|-------------|--|--|
| 2300L DIESEL BUNDED TANK | | A3 SHEET SIZE | |
| PRODUCT CODE DMDS2300R | | SCALE: 1:20 | |
| MATERIAL | | DRAWN ZP 11/12/2020 | |
| COLOUR | | 1/2 Rev: A | |
| LEVEL | DRAWING No. | DMDS2300R-01-01 | |

SCALE: 1:20

A3 SHEET SIZE

DRAWN ZP 11/12/2020 1/2 Rev: A



| REV | DRAWN | DATE | PARTICULARS |
|-----|-------|------------|---------------|
| A | ZP | 11/12/2020 | FIRST RELEASE |

ALL TOLERANCES UNLESS OTHERWISE STATED $\pm 10\text{mm} / \pm 1^\circ$

Polymaster
 161 KARINE STREET
 SWAN HILL, VIC
 3585
 Ph. (03) 5033 9000
 Fx: (03) 5033 0224

© POLYMASTER GROUP

| DESCRIPTION | | 2300L DIESEL BUNDED TANK | |
|--------------|-------------|--------------------------|--|
| PRODUCT CODE | | DMDS2300R | |
| MATERIAL | | | |
| COLOUR | | | |
| LEVEL | DRAWING No. | DMDS2300R-01-01 | |

DO NOT SCALE, USE DIMENSIONS. ALL DIMENSIONS ARE IN mm

SCALE: 1:20

A3 SHEET SIZE

DRAWN ZP 11/12/2020 2/2 Rev: A