

EARTH ROD

2.300L MODEL SHOWN

DIESEL LEVEL INDICATOR

DIGITAL FLUID METER (PULSE0)

MC BOX FLUID MONITORING

2" CAMLOK & BALL VALVE

30 MICRON CLEAR WATER CAPTOR FILTER

10m CABLE REEL

BUND LEAK INDICATOR

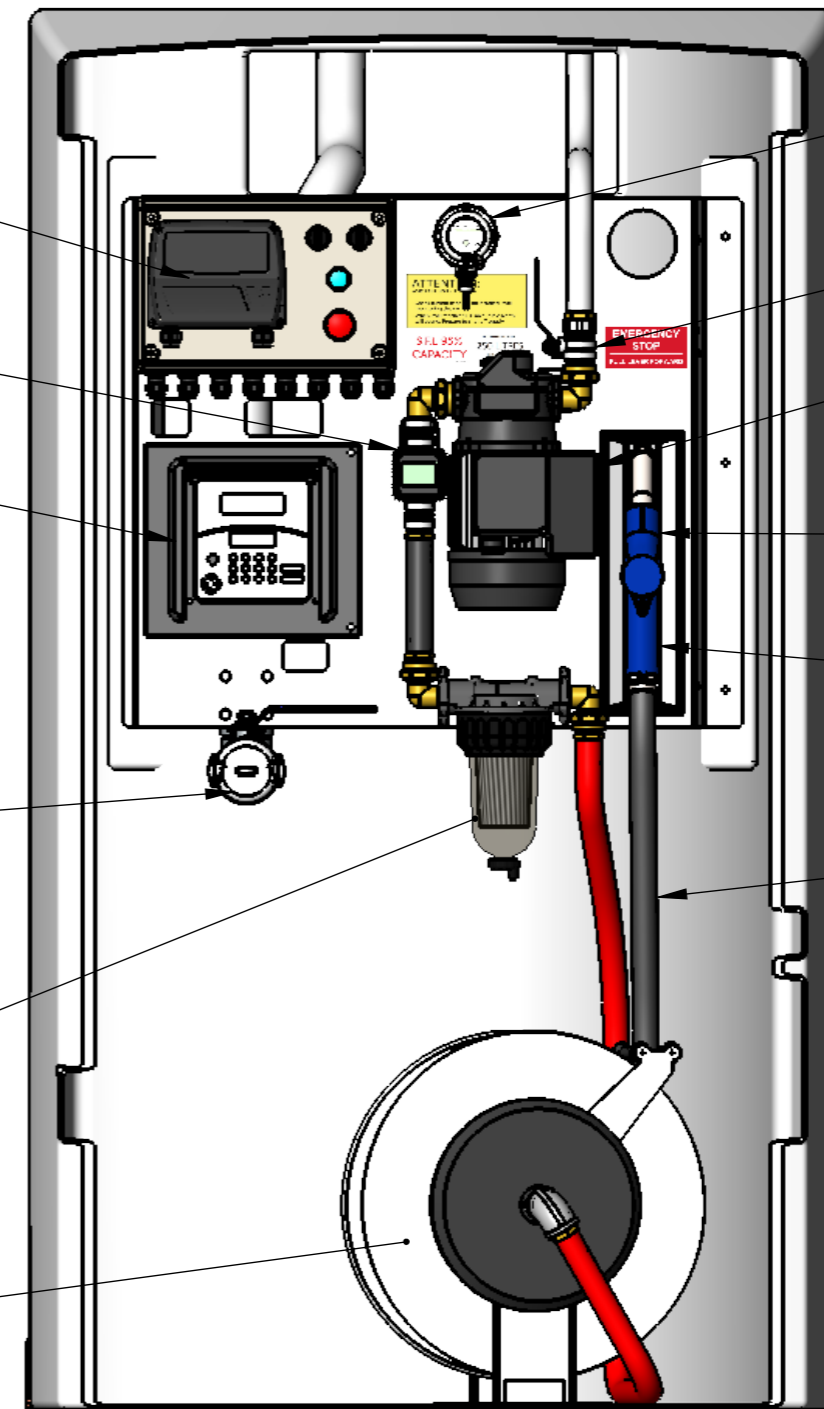
ISOLATING BALL VALVE

240V 100LPM DIESEL PUMP

AUTOMATIC TRIGGER NOZZLE

NOZZLE HOLDER WITH PUMP SHUT OFF

8m x 1" HOSE



SECTION THRU CABINET FRONT
SCALE 1 : 10

ALL TOLERANCES UNLESS OTHERWISE STATED $\pm 10\text{mm} / \pm 1^\circ$

DO NOT SCALE, USE DIMENSIONS. ALL DIMENSIONS ARE IN mm

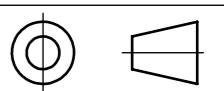
REV	DRAWN	DATE	PARTICULARS
B	ZP	10/05/21	ADDEDABLE REELER
A	ZP	18/01/2021	FIRST RELEASE

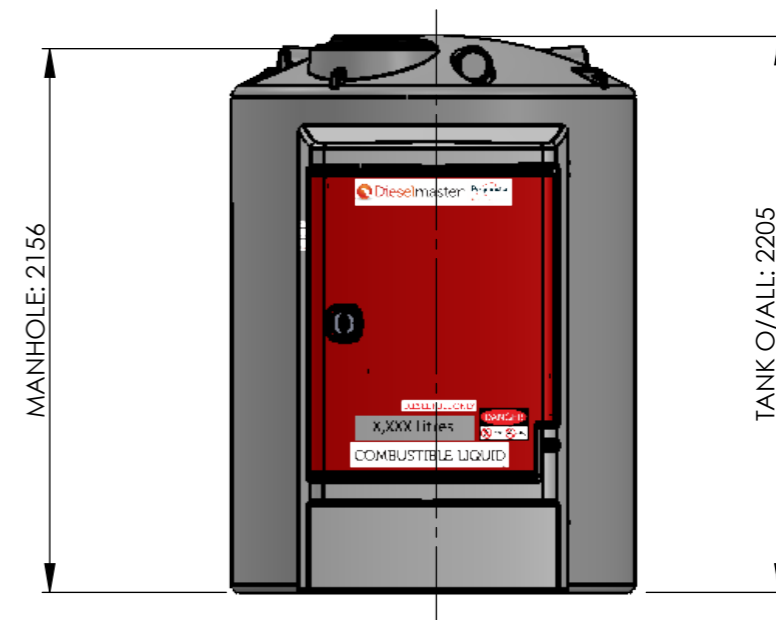
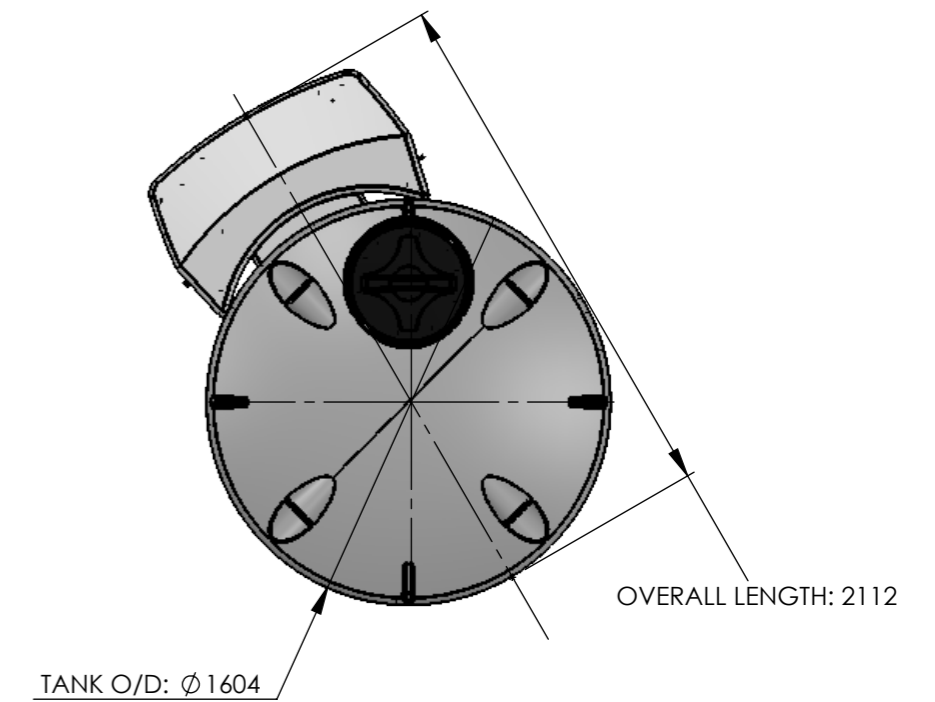
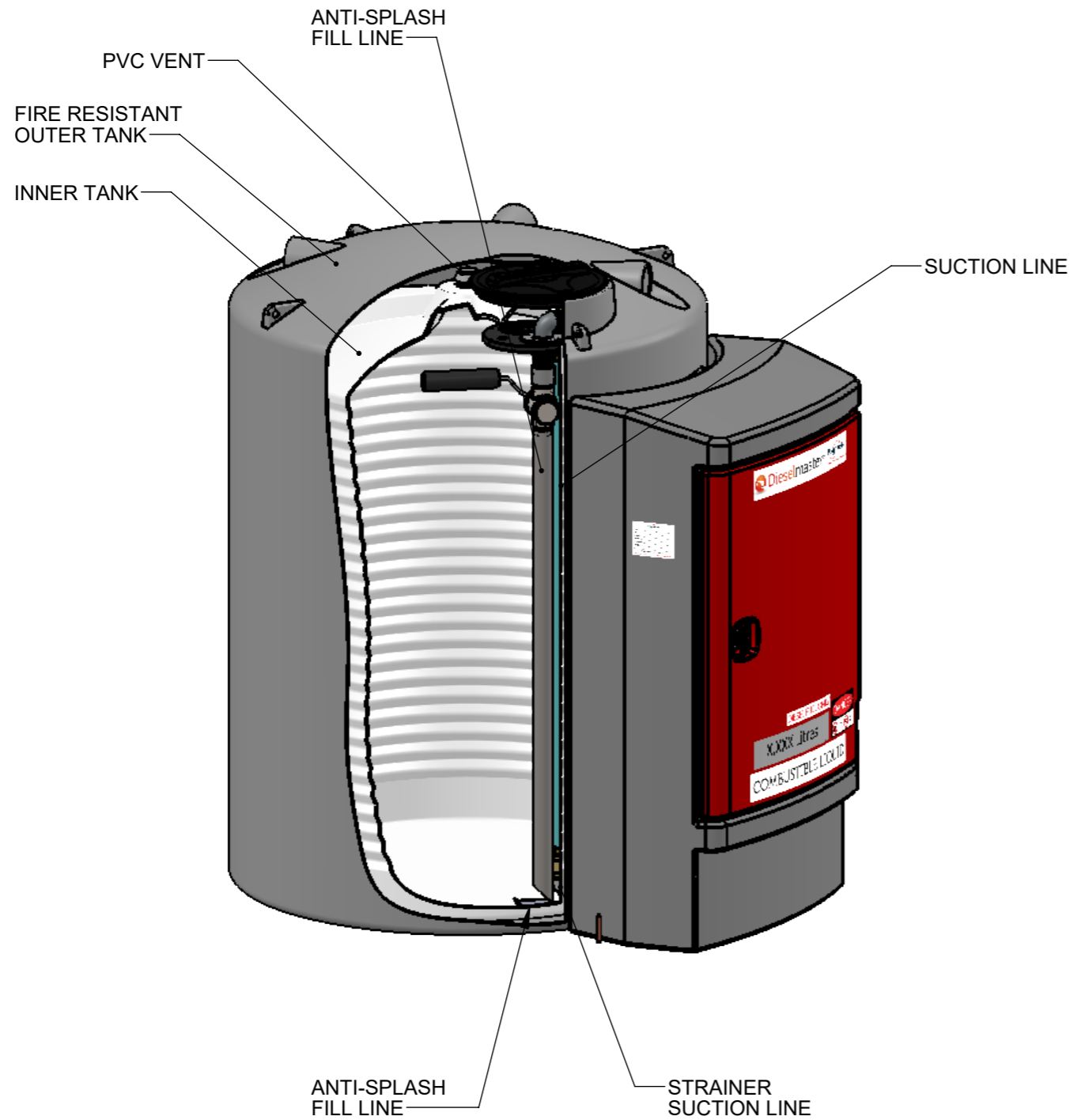

 161 KARINE STREET
 SWAN HILL. VIC
 3585
 Ph. (03) 5033 9000
 Fx: (03) 5033 0224
 © POLYMASTER GROUP

DESCRIPTION	2300L DIESEL BUNDED TANK
PRODUCT CODE	DMDS2300Q
MATERIAL	
COLOUR	
LEVEL	
DRAWING No.	DMDS2300Q-01-01

A3	SHEET SIZE
DRAWN	ZP
18/01/2021	1/2 Rev: B

SCALE: 1:20





REV	DRAWN	DATE	PARTICULARS
A	ZP	11/12/2020	FIRST RELEASE

ALL TOLERANCES UNLESS OTHERWISE STATED $\pm 10\text{mm} / \pm 1^\circ$

Polymaster

161 KARINE STREET
SWAN HILL, VIC
3585
Ph. (03) 5033 9000
Fx: (03) 5033 0224

© POLYMASTER GROUP

DESCRIPTION		2300L DIESEL BUNDED TANK	
PRODUCT CODE		DMDS2300Q	
MATERIAL			
COLOUR			
LEVEL	DRAWING No.	DMDS2300Q-01-01	

DO NOT SCALE, USE DIMENSIONS. ALL DIMENSIONS ARE IN mm

A3
SHEET SIZE

SCALE: 1:20

DRAWN ZP 11/12/2020 2/2 Rev: B