

EARTH ROD

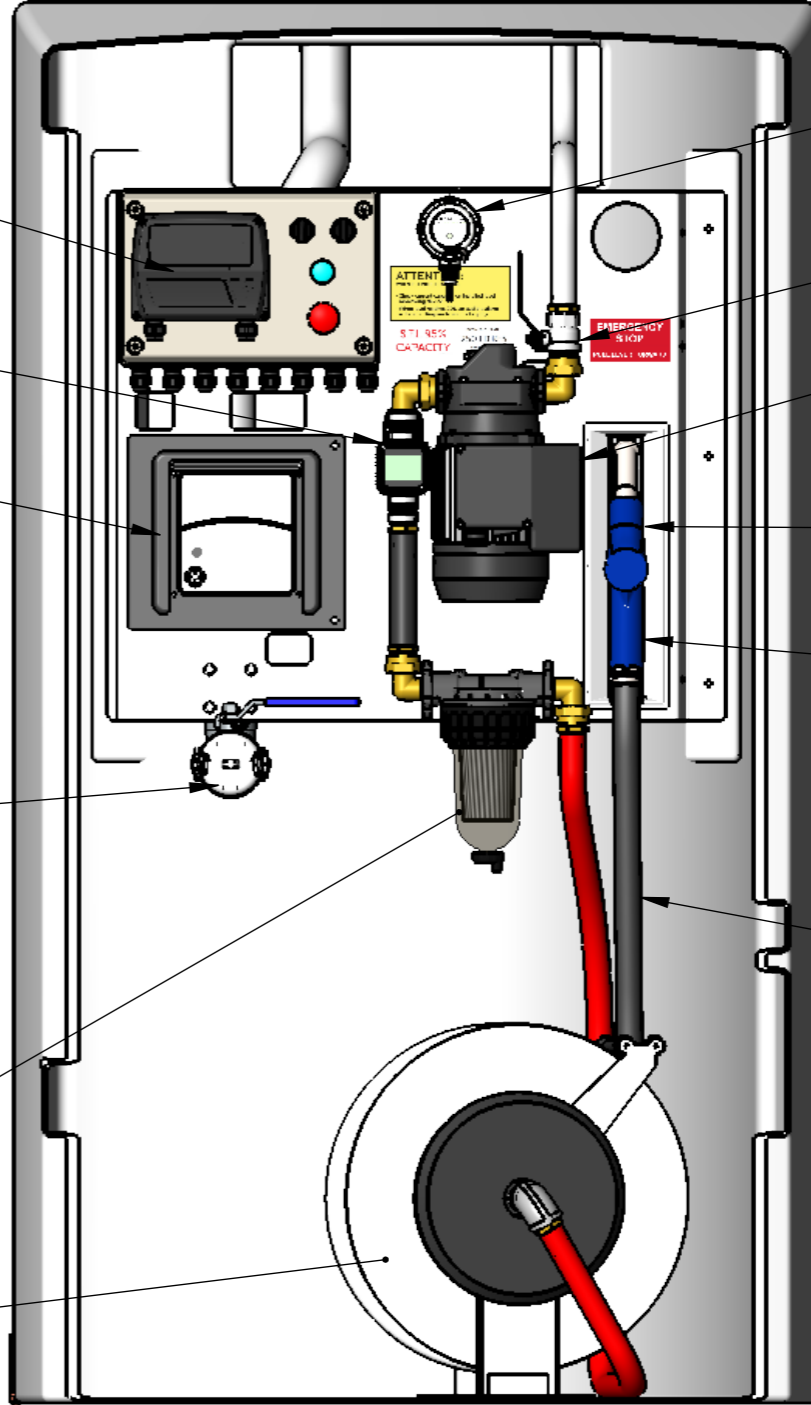
10,000L MODEL SHOWN

DIESEL LEVEL INDICATOR
DIGITAL FLUID METER (PULSE0)
MC BOX FLUID MONITORING

2" CAMLOK & BALL VALVE

30 MICRON CLEAR WATER CAPTOR FILTER

10m HOSE REEL



BUND LEAK INDICATOR

ISOLATING BALL VALVE


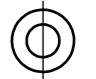
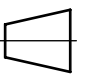
240V 100LPM DIESEL PUMP

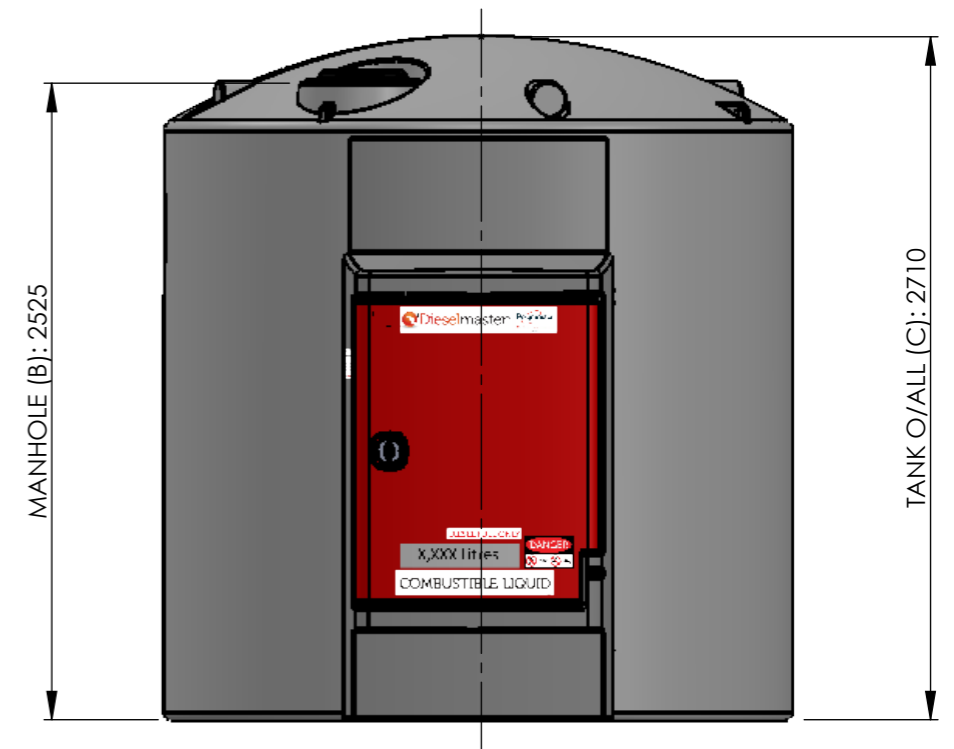
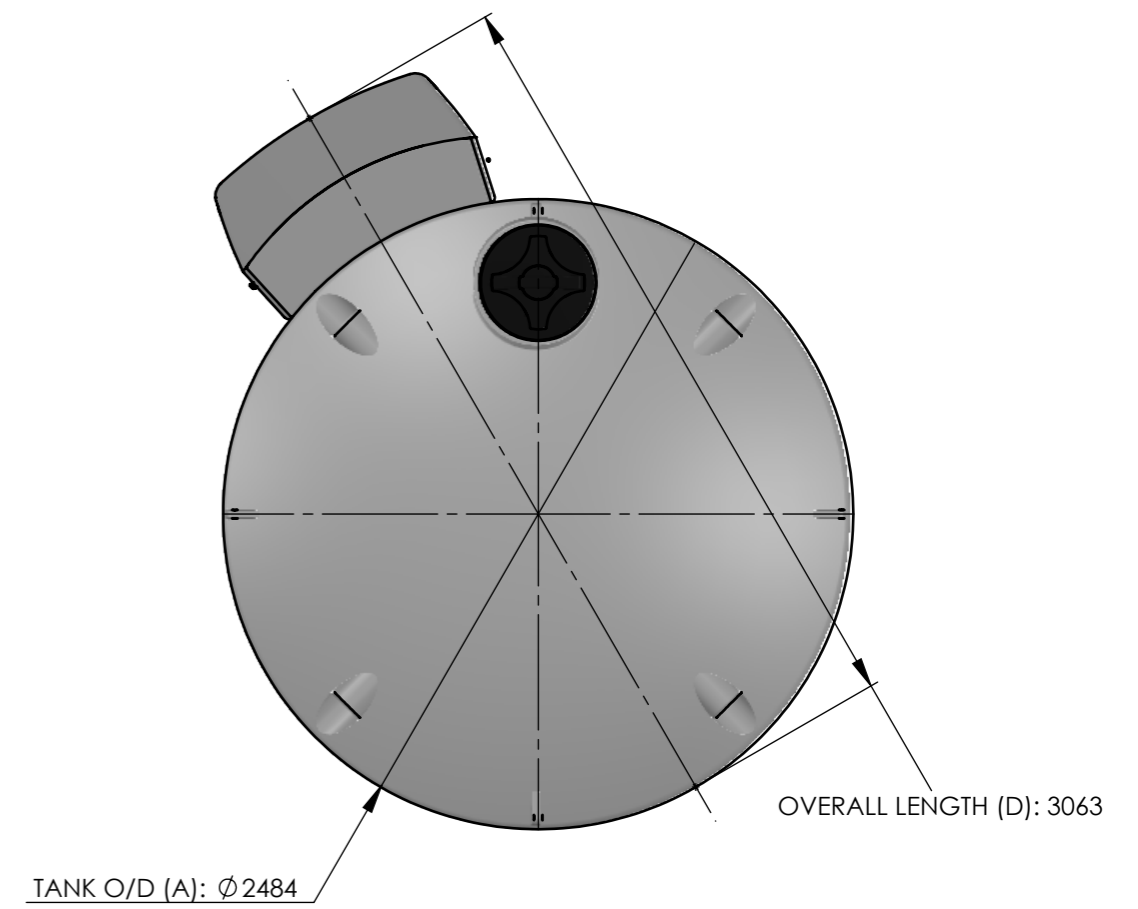
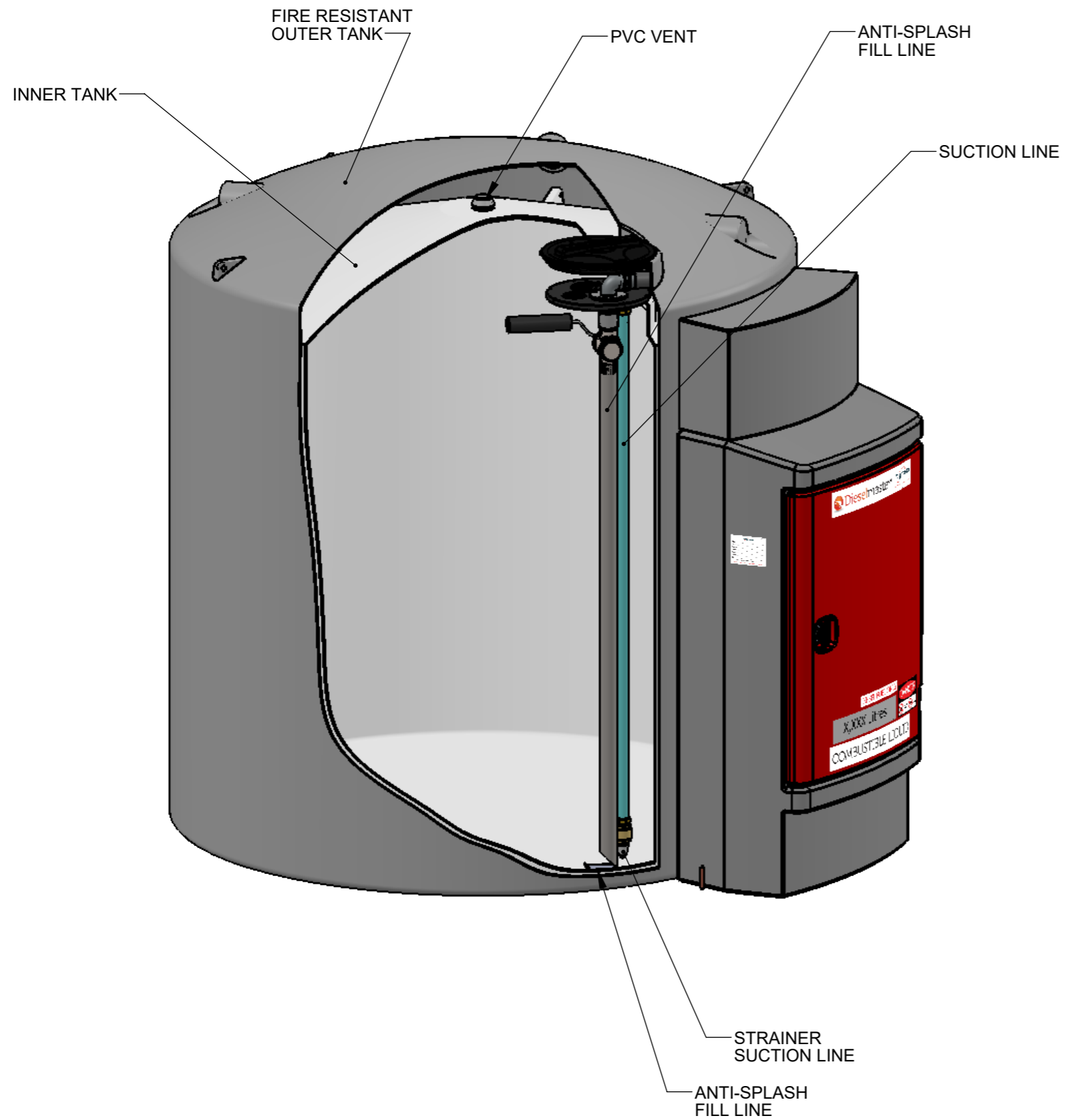
AUTOMATIC TRIGGER NOZZLE

NOZZLE HOLDER WITH PUMP SHUT OFF


8m x 1" HOSE

SECTION THRU CABINET FRONT
SCALE 1 : 10

| | | | | | | | | | | | | |
|-----|-------|------------|-------------------|--|--|--|--|---------------------------|--|------------------|---|--|
| | | | | ALL TOLERANCES UNLESS OTHERWISE STATED ±10mm / ±1° | | DO NOT SCALE, USE DIMENSIONS. ALL DIMENSIONS ARE IN mm | | | | | | |
| | | | |  161 KARINE STREET SWAN HILL, VIC 3585 Ph. (03) 5033 9000 Fx: (03) 5033 0224 © POLYMASTER GROUP | | DESCRIPTION | | 10000L DIESEL BUNDED TANK | | A3 SHEET SIZE | SCALE: 1:20 | |
| | | | | | | PRODUCT CODE | | DMDS10000Q | | |   | |
| | | | | | | MATERIAL | | | | | | |
| B | ZP | 10/05/21 | ADDED HOSE REELER | | | COLOUR | | | | DRAWN | ZP | |
| A | ZP | 11/12/2020 | FIRST ISSUE | | | LEVEL | | | | | | |
| REV | DRAWN | DATE | PARTICULARS | | | DRAWING No. | | DMDS10000Q-01-01 | | | | |



| REV | DRAWN | DATE | PARTICULARS |
|-----|-------|------------|-------------|
| A | ZP | 11/12/2020 | FIRST ISSUE |

| | | | |
|---|--|--|---------------------------|
| ALL TOLERANCES UNLESS OTHERWISE STATED $\pm 10\text{mm} / \pm 1^\circ$ | | DO NOT SCALE, USE DIMENSIONS. ALL DIMENSIONS ARE IN mm | |
|  161 KARINE STREET SWAN HILL, VIC 3585 Ph. (03) 5033 9000 Fx: (03) 5033 0224 © POLYMASTER GROUP | | DESCRIPTION | 10000L DIESEL BUNDED TANK |
| | | PRODUCT CODE | DMDS10000Q |
| | | MATERIAL | |
| | | COLOUR | |
| LEVEL | | DRAWING No. | DMDS10000Q-01-01 |
| | | SHEET SIZE | A3 |
| | | DRAWN | ZP |
| | | DATE | 11/12/2020 |
| | | REV | 2/2 |
| | | SCALE | 1:20 |
| | | Rev | B |